

PARTS CATALOGUE



SCOOTERS

KF40AB(DZ)

Agility City200(2011)



Release Date : 1899/12/31
Print Date : 2016/08/24

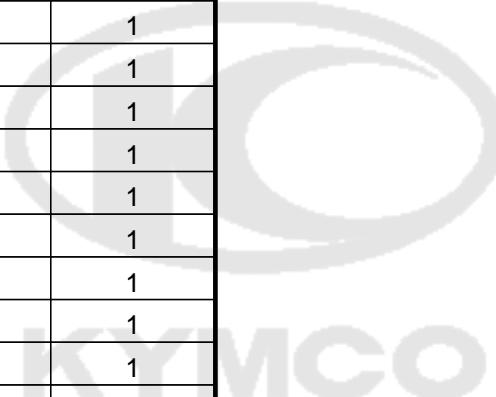
ABOUT THIS PARTS LIST

- This parts list is compiled all service parts for model KF40AB(DZ).
- Any difference between color chart and motorcycle will be revised according to motorcycle.
- The Mark:
 1. Marking "***" must add color code in the end before ordering parts.
 2. Marking "#" are parts with modification, Please find the details from e-Parts system.
- When modification or additions to this parts list are made a revised edition at an appropriate time.



CONTENTS

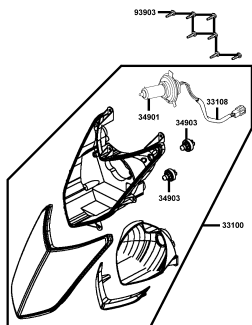
● ABOUT THIS PARTS LIST	1
● COLOR CHART OF KF40AB(DZ)	3
● CONTENTS-ENGINE GROUP	6
● CONTENTS-FRAME GROUP	7
● ENGINE PARTS LIST	10
● FRAME PARTS LIST	38
● PART NO. INDEX	92

NO	MODEL			COLOR CHART OF KF40AB(DZ)				
	PHOTO NO			NO. 1	NO. 2	NO. 3	NO. 4	
	BASIC COLOR			Light Blue Metallic	Dark Gray Metallic	Black	Pearly White	
	CODE			Light Blue Metallic	Dark Gray Metallic	Black	Pearly White	
	PARTS NAME	PARTS NO.	VERSION	PB281MA	NH230MA	NH001SA	NH193PA	
1	LEVER L STRG HANDLE	53178-KNBN-C00	0	M3A				
2	COVER HANDLE FR	53205-LFC2-E10	1	CAP	HKP	N1P	NVP	
3	"COVER, FRONT"	64301-LFC2-E10	2					
4	CAP FR COVER	64303-LFC2-E10	1					
5	COVER R BODY	83500-LFC2-E10	1					
6	COVER L BODY	83600-LFC2-E10	1					
7	COVER RR CENTER	83750-LFC2-E10	1					
8	COVER BATTERY	50326-LFC2-E10	1					
9	COVER UNDER	50613-LFC2-E10	1					
10	COVER METER	53204-LFC2-E10	1					
11	COVER HANDLE RR	53206-LFC2-E10	1					
12	MOLD FRONT	64302-LFC2-E10	1					
13	SKIRT R SIDE	64305-LFC2-E10	1					
14	SKIRT L SIDE	64306-LFC2-E10	1					
15	GRILLE R FR MOLDING	64307-LFC2-E10	1					
16	GRILLE L FR MOLDING	64308-LFC2-E10	1					
17	SKIRT ASSY R SIDE	6430A-LFC2-E10	1					N1R
18	SKIRT ASSY L SIDE	6430B-LFC2-E10	1					
19	MOLD ASSY FRONT	6430C-LFC2-E10	1					
20	FLOOR PANEL	64310-LFC2-E11	0					
21	PLUG FLOOR	64316-LCB9-C10	5					
22	COVER R STEP	64350-LFC2-E11	0					
23	COVER L STEP	64360-LFC2-E11	0					
24	FENDER RR TIRE	80100-LFC3-E10	1					
25	FENDER RR INNER	80101-LFC3-E10	0					
DATE OF STARTING-SALES								
DATE OF END-SALES								

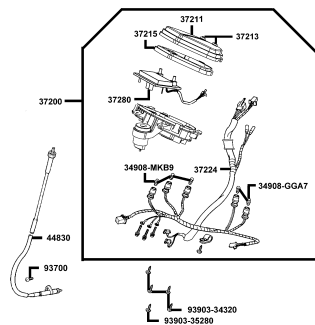
NO	MODEL			COLOR CHART OF KF40AB(DZ)			
	PHOTO NO			NO. 1	NO. 2	NO. 3	NO. 4
	BASIC COLOR			Light Blue Metallic	Dark Gray Metallic	Black	Pearly White
	CODE			Light Blue Metallic	Dark Gray Metallic	Black	Pearly White
	PARTS NAME	PARTS NO.	VERSION	PB281MA	NH230MA	NH001SA	NH193PA
26	FENDER REAR	80105-LFC2-E10	1	N1R			
27	COVER CENTER	80151-LFC2-E10	1				
28	COVER ASSY CENTER	8015A-LFC2-E10	1				
29	LEG SHIELD	81131-LFC2-E10	1				
30	LID LEG SHIELD	81132-LCB9-C10	1				
31	CAP LEG SHIELD UP	81132-LFC2-E10	1				
32	PLATE INNER BOX	81134-LFC2-E10	1				
33	LID INNER BOX	81141-LFC2-E10	1				
34	BOX LUGGAGE	81250-LKD2-E10	0				
35	GRILL R SIDE	83510-LFC2-E10	1				
36	GRILL L SIDE	83610-LFC2-E10	1	N1S			
37	CUSHION ASSY RR	52400-LFC4-E10	0				
38	"COVER, LEFT"	11340-LEJ3-E11	0	NEA			
39	WHEEL ASSY RR	42600-LFC3-E81	1				
40	WHEEL COMP RR CAST	42601-LFC3-E10	1				
41	WHEEL ASSY FR	44600-LFC3-E81	2				
42	WHEEL CAST FR	44601-LFC2-E10	2	NEP			
43	FENDER FR	61100-LFC2-E10	1				
44	MIRROR ASSY R BACK	88110-LEB5-C11	2				
45	MIRROR ASSY L BACK	88120-LEB5-C11	2	NGA			
46	"FORK ASSY, R FR"	51400-LFC3-E10	0				
47	"FORK ASSY, L FR"	51500-LFC3-E10	0	NJA			
48	CARRIER RR	81200-LFC2-E10	1				
49	SEAT ASSY	77200-LFC3-E10	0	T01			
50	STRIPE K-LOGO 22MM	86102-LEJ2-E00	2				
DATE OF STARTING-SALES							
DATE OF END-SALES							

CONTENTS - FRAME GROUP

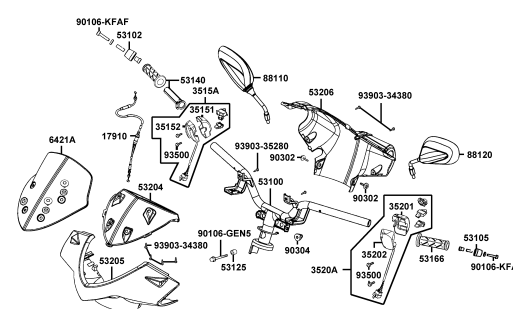
F01 Head Light



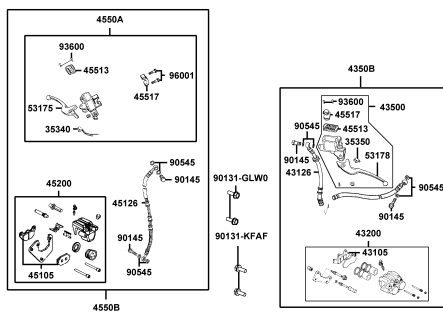
F02 Speedometer



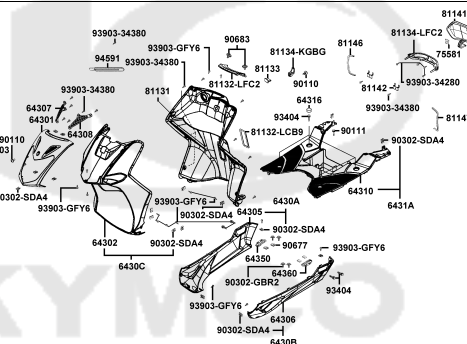
F03 Handle Steering Handle Cover



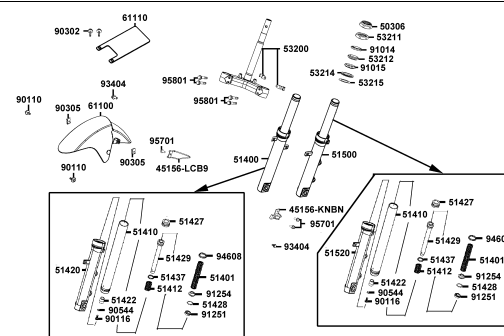
F04 Brake Master Cylinder



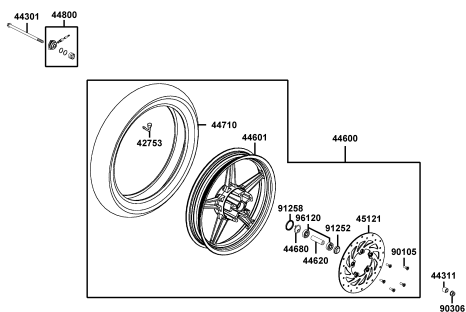
F05 Front Cover Front Fender



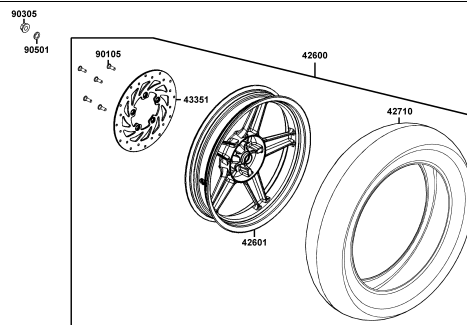
F06 Stem Steering Front Cushion



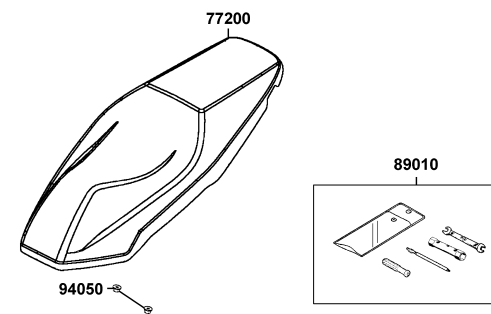
F07 Front Wheel



F08 Rear Wheel

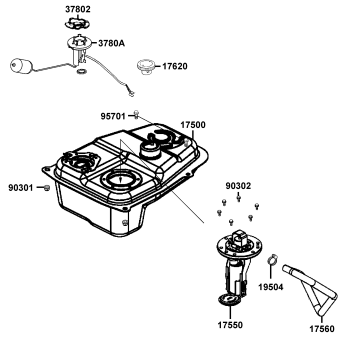


F09 Seat

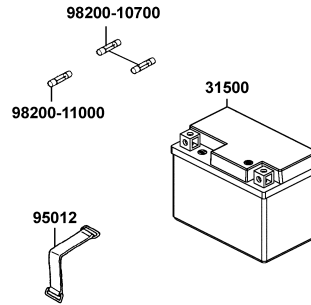


CONTENTS - FRAME GROUP

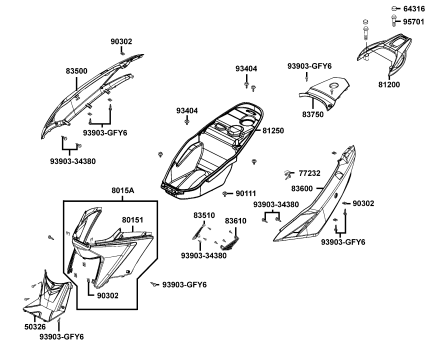
F10 Fuel Tank



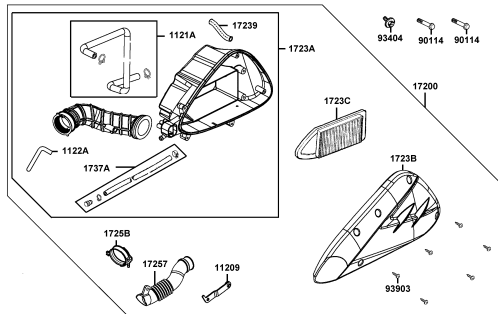
F11 Battery



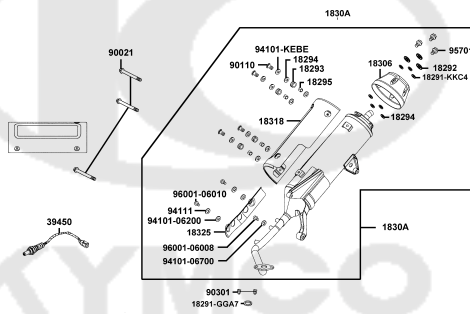
F12 Body Cover Luggage Box



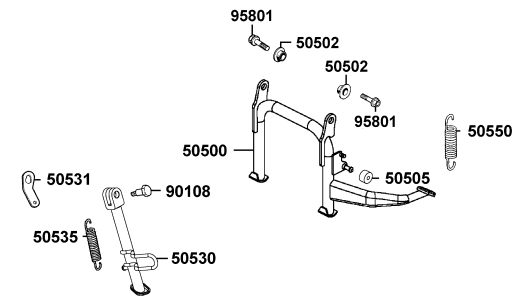
F13 Air Cleaner



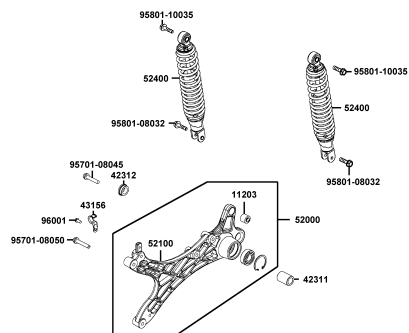
F14 Exhaust Muffler



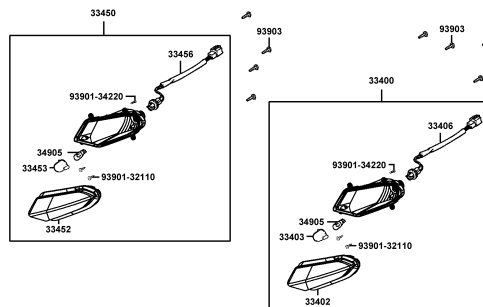
F15 Stand Kick Starter Arm



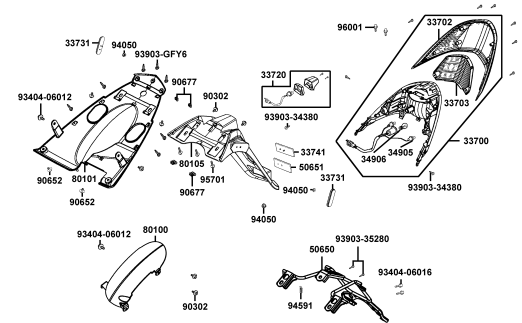
F16 Rear Cushion



F17 Front Winker

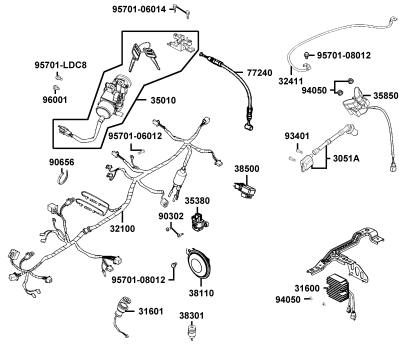


F18 Tail Light

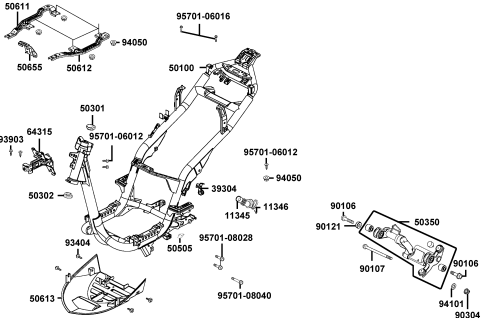


CONTENTS - FRAME GROUP

F19 Wire Harness



F20 Frame Body



F21 Emblem Stripe

87560


87541-GAR1

87541-KUDU


87505

87542

86202



86102



CAUTIONS

Before starting the engine, the side stand must be kicked up to secure safety.

CAUTIONS

Never put any object between the rear side cover and the engine to avoid interference of riding.

Engine Oil Capacity

Capacity: 1.05L (1.1 US qt)

Oil Level: 1.0L (1.1 US qt)

Oil Type: SAE 10W-40

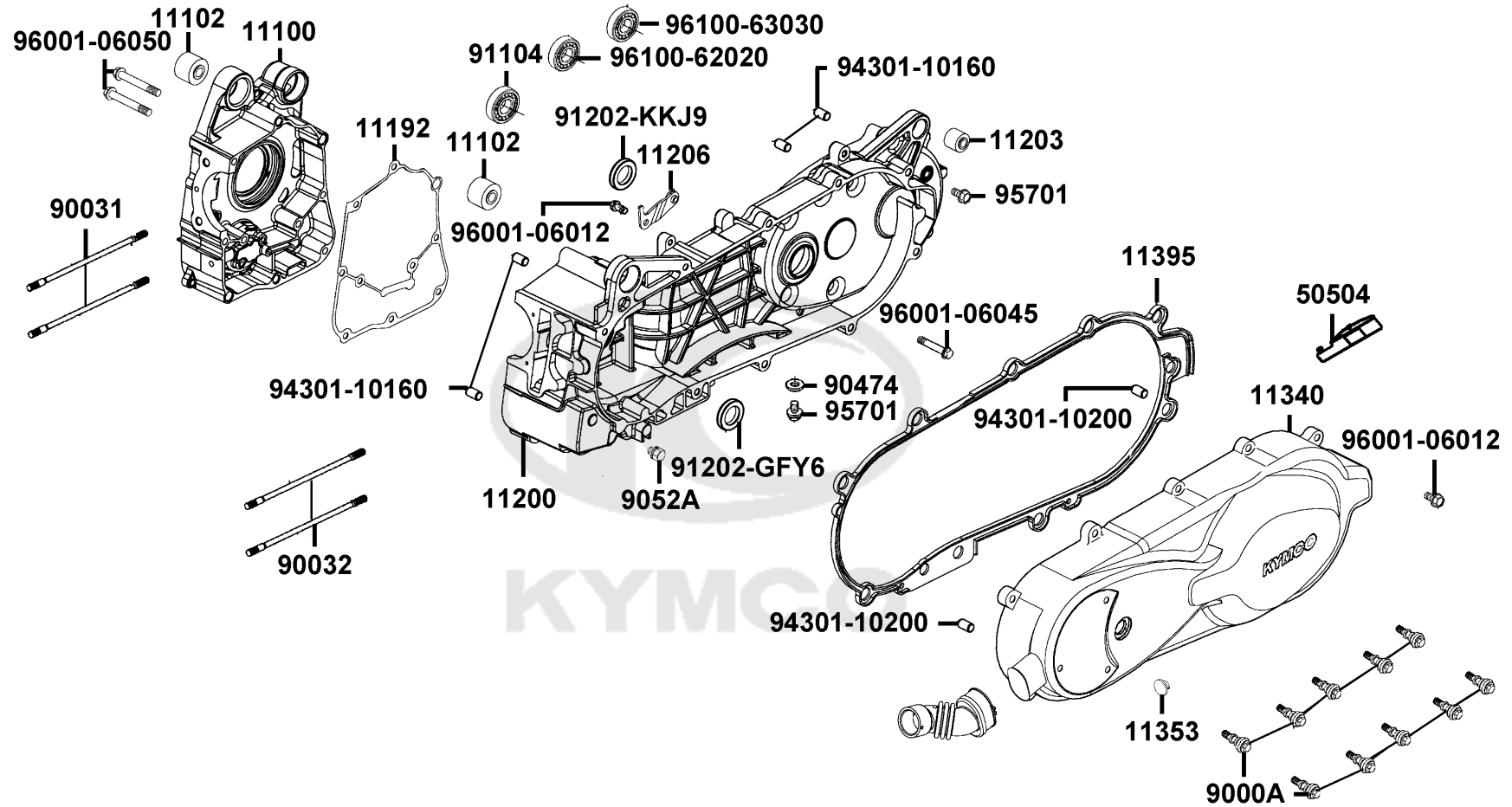
Oil Viscosity: 10W-40

Oil Standard: API SAE 10W-40



E01

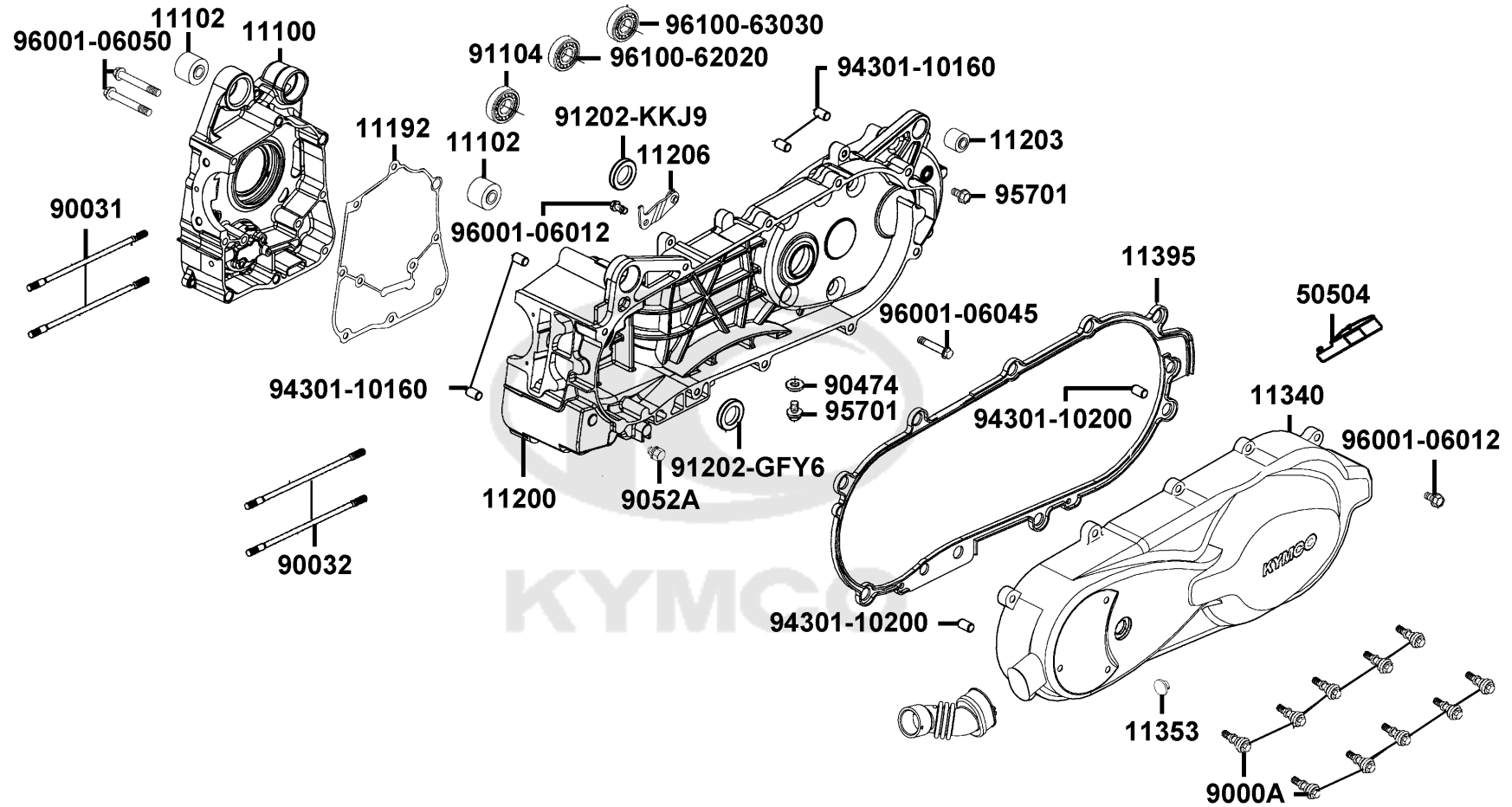
Crank Case



Sales mark	Ref no	Part no	Description	Reg description	Regd no	E01
	11100	11100-LCD4-C00	CRANK CASE COMP RIGHT	CRANK CASE COMP RIGHT	1	
	11102	11102-1G87-C00	RUB BUSH ENG HANGER	RUB BUSH ENG HANGER	1	
#	11192	11192-LGS6-E90	GASKET CRANK CASE A	GASKET CRANK CASE A	1	
	11200	11200-LCD4-C00	CRANK CASE COMP L	CRANK CASE COMP L	1	
	11203	11203-GGC7-W10	UNDER RUBBER BUSH REAR CUSHION	UNDER RUBBER BUSH REAR CUSHION	1	
	11206	11206-LCD3-C00	STAY A RR FENDER	STAY A RR FENDER	1	
**	11340	11340-LEJ3-E11	COVER LEFT	COVER LEFT	1	
	11353	11353-LEA6-C00	RUBBER PLUG ,L COVER KICK	RUBBER PLUG ,L COVER KICK	1	
	11395	11395-KHB4-C00	GASKET L COVER @A	GASKET L COVER @A	1	
	50504	50504-LEJ3-E11	STAND MAIN STOPPER	STAND MAIN STOPPER	1	
	9000A	9000A-LEJ2-E10	BOLT ASSY SPECIAL 6X27	BOLT ASSY SPECIAL 6X27	10	
	90031	90031-KUDU-C00	BOLT A STUD 8*200.5	BOLT A STUD 8*200.5	1	
	90032	90032-KUDU-C00	BOLT B STUD 8*208.5	BOLT B STUD 8*208.5	1	
	90474	90474-3C33-C00	WASHER 8MM (T*2)	WASHER 8MM (T*2)	1	
	9052A	9052A-GFY6-C00	BOLT ASSY DRAIN PLUG	BOLT ASSY DRAIN PLUG	1	
	91104	91104-KGN7-671	BRG BALL RADIAL 6204	BRG BALL RADIAL 6204	1	
	91202-GFY6	91201-GFY6-C00	OIL SEAL 19.8*30*5	OIL SEAL 19.8*30*5	1	
	91202-KKJ9	91202-KKJ9-C00	OIL SEAL 20*32*6	OIL SEAL 20*32*6	1	
	94301-10160	94301-10160	DOWEL PIN 10*16	DOWEL PIN 10*16	6	
	94301-10200	94301-10200	DOWEL PIN 10*20	DOWEL PIN 10*20	2	

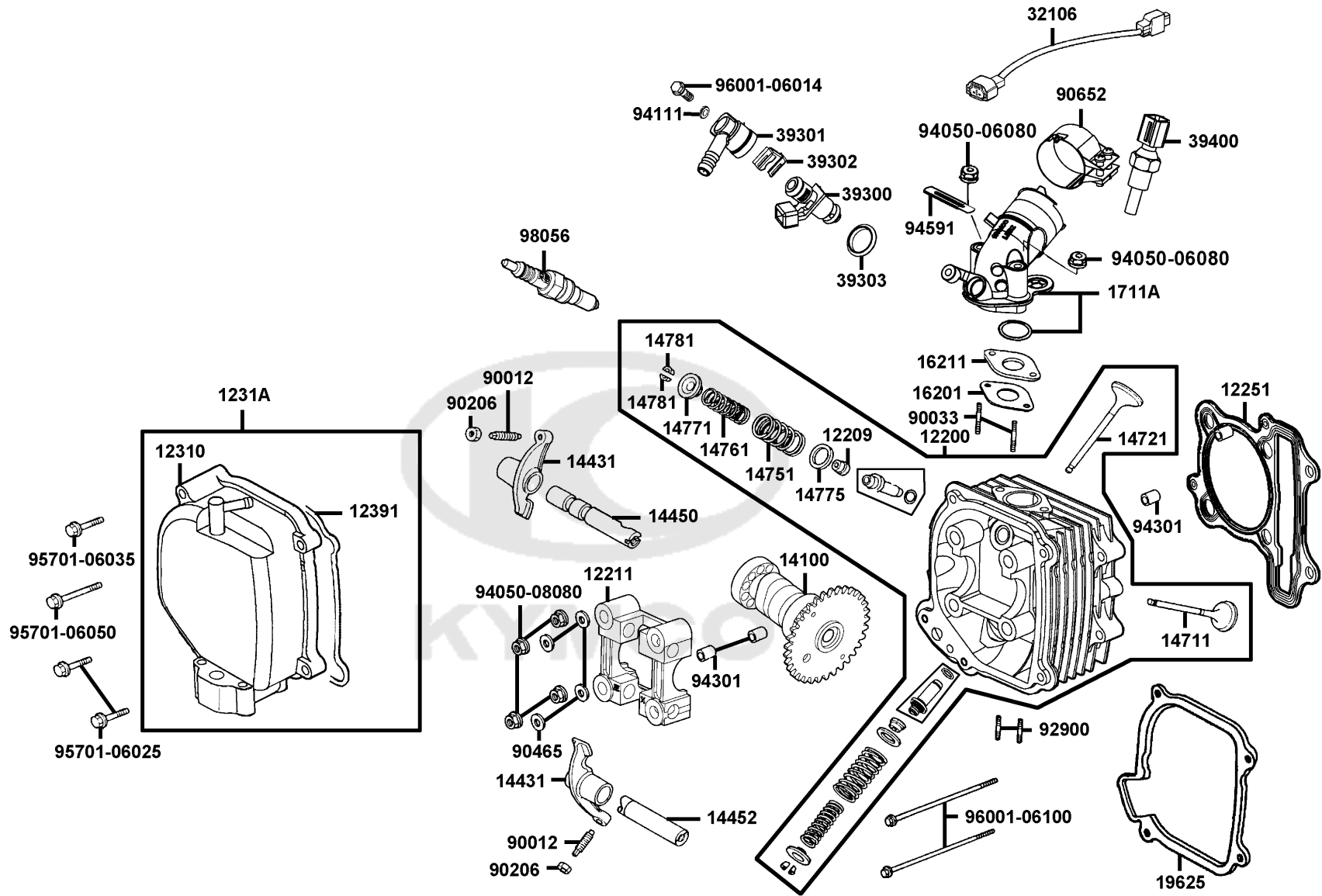
E01

Crank Case



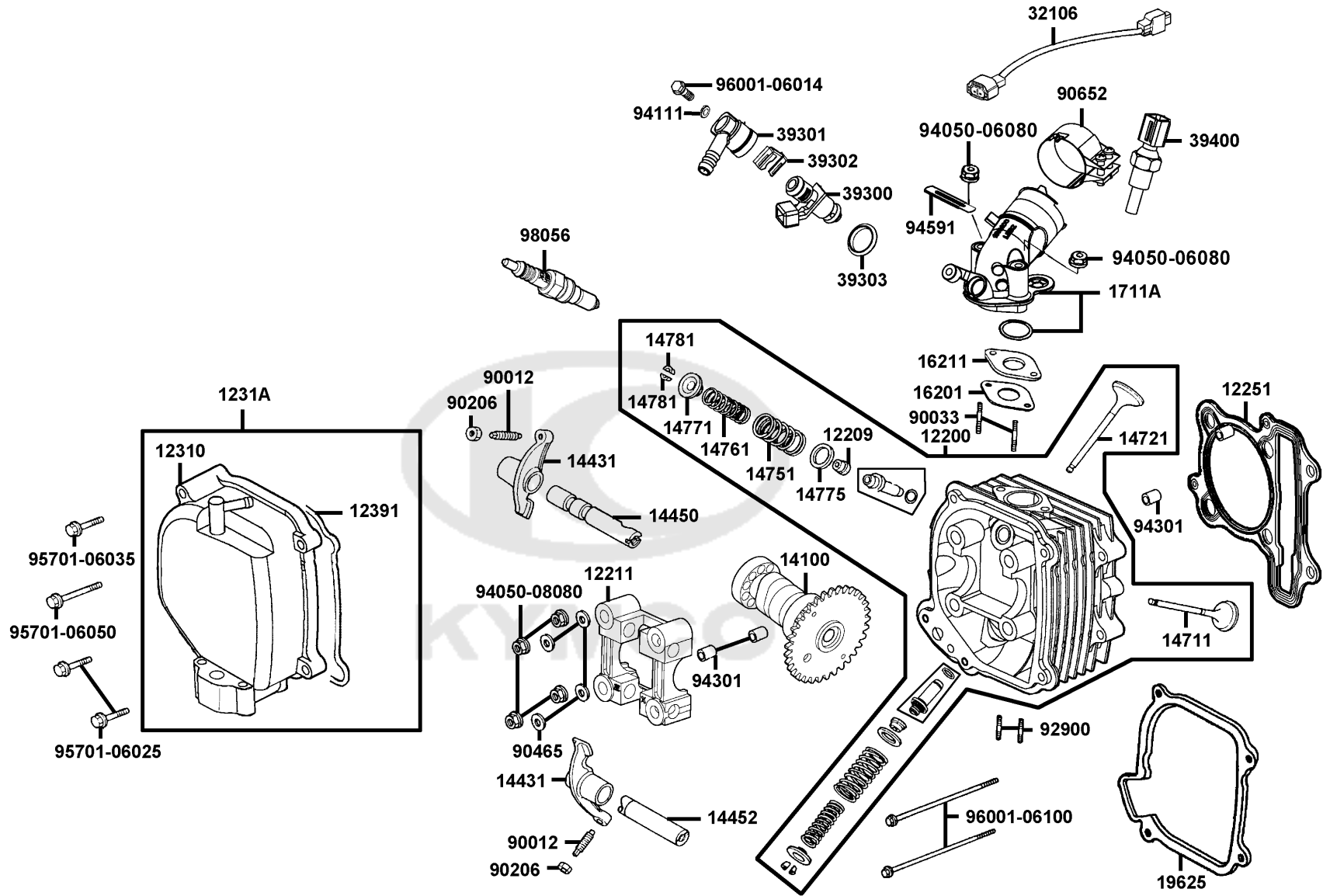
Sales mark	Ref no	Part no	Description	Reg description	Regd no	E01
95701		95701-08012-08	BOLT FLANGE 8*12	BOLT FLANGE 8*12	2	
96001-06012		96001-06012-08	BOLT FLANGE 6*12	BOLT FLANGE 6*12	2	
96001-06045		96001-06045-08	BOLT FLANGE SH 6*45	BOLT FLANGE SH 6*45	10	
96001-06050		96001-06050-08	BOLT FLANGE 6*50	BOLT FLANGE 6*50	2	
96100-62020		96100-62020-00	BEARING BALL RADIAL 6202	BEARING BALL RADIAL 6202	1	
96100-63030		96100-63030-00	BEARING BALL RADIAL 6303	BEARING BALL RADIAL 6303	1	





Sales mark	Ref no	Part no	Description	Reg description	Regd no	E02
	12200	12200-LGS6-405	CYLINDER HEAD SET	CYLINDER HEAD SET	1	
	12209	12209-GDB4-C00	SEAL VALVE STEM	SEAL VALVE STEM	1	
	12211	12211-KUDU-W10	HOLDER CAM SHAFT	HOLDER CAM SHAFT	1	
	12251	12251-LGS6-E10	GASKET CYLINDER HEAD	GASKET CYLINDER HEAD	1	
	12310	12310-KUDU-C000	COVER COMP HEAD	COVER COMP HEAD	1	
	1231A	1231A-KUDU-C11	HEAD ASSY CYLINDER	COVER ASSY HEAD	1	
	12391	12391-GFY6-C10	GASKET HEAD COVER	GASKET HEAD COVER	1	
	14100	14100-LGS6-E10	SHAFT COMP CAM	SHAFT COMP CAM	1	
	14431	14431-KUDU-W10	ARM VALVE ROCKER	ARM VALVE ROCKER	1	
	14450	14450-GFY6-W10	SHAFT COMP IN ROCKER ARM	SHAFT COMP IN ROCKER ARM	1	
	14452	14452-GFY6-W10	SHAFT EXH ROCKER ARM	SHAFT EXH ROCKER ARM	1	
	14711	14711-KFB7-C00	VALVE INLET	VALVE INLET	1	
	14721	14721-KFB7-C00	VALVE EXHAUST	VALVE EXHAUST	1	
	14751	14751-KKJ9-C00	SPRING VALVE OUTER	SPRING VALVE OUTER	1	
	14761	14761-KKJ9-C00	SPG VALVE INNER	SPG VALVE INNER	1	
	14771	14771-GDB4-C00	RETAINER VALVE SPRING	RETAINER VALVE SPRING	1	
	14775	14775-MFA6-C00	SEAT VALVE SPG OUTER	SEAT VALVE SPG OUTER	1	
	14781	14781-MFA6-C00	COTTER VALVE	COTTER VALVE	1	
#	16201	16201-GFY6-E90	GASKET CARBURETOR INSULATOR	GASKET CARBURETOR INSULATOR	1	
	16211	16211-GFY6-W10	INSULATOR	INSULATOR	1	

Sales mark	Ref no	Part no	Description	Reg description	Regd no	E02
	1711A	1711A-LGL3-C00	PIPE ASSY INLET	PIPE ASSY INLET	1	
	19625	19625-KUDU-C00	SEAL SHROUD	SEAL SHROUD	1	
	32106	32106-KKE3-C00	SUB HARNESS A	SUB HARNESS A	1	
	39300	39300-LEA6-800	FUEL INJECTOR	FUEL INJECTOR	1	
	39301	39301-LHB2-C10	HOLDER ASSY FUEL INJECTOR	HOLDER ASSY FUEL INJECTOR	1	
	39302	39302-KKE3-C00	CLIP SPRING FUEL INJECTOR	CLIP SPRING FUEL INJECTOR	1	
	39303	39303-LEB2-900	SEAL HIGH TENSION FUEL INJECT	SEAL HIGH TENSION FUEL INJECT	1	
	39400	39400-KKE3-800	SENSOR HEAD TEMPERATURE	SENSOR HEAD TEMPERATURE	1	
	90012	90012-3C33-C00	SCREW TAPPET ADJUSTING	SCREW TAPPET ADJUSTING	1	
	90033	90033-GFY6-C00	BOLT STUD 8*32	BOLT STUD 8*32	1	
	90206	90206-0A01-C00	NUT TAPPET ADJG	NUT TAPPET ADJG	1	
	90465	90465-MDC4-C00	WASHER 8MM	WASHER 8MM	1	
	90652	90652-LGJ9-900	BAND 48. INLET-PIPE	BAND 48. INLET-PIPE	1	
	92900	92900-06060-0B	BOLT STUD 6*60	BOLT STUD 6*60	2	
	94050-06080	94050-06080	NUT FLANGE 6MM	NUT FLANGE 6MM	2	
	94050-08080	94050-08080	NUT FLANGE 8MM	NUT FLANGE 8MM	4	
	94111	94111-06800	WASHER SPRING 6MM	WASHER SPRING 6MM	1	
	94301	94301-10160	DOWEL PIN 10*16	DOWEL PIN 10*16	4	
	94591	94591-LDC8-E10	CLIP BIND	CLIP BIND	1	
	95701-06025	95701-06025-08	BOLT FLANGE 6*25	BOLT FLANGE 6*25	2	

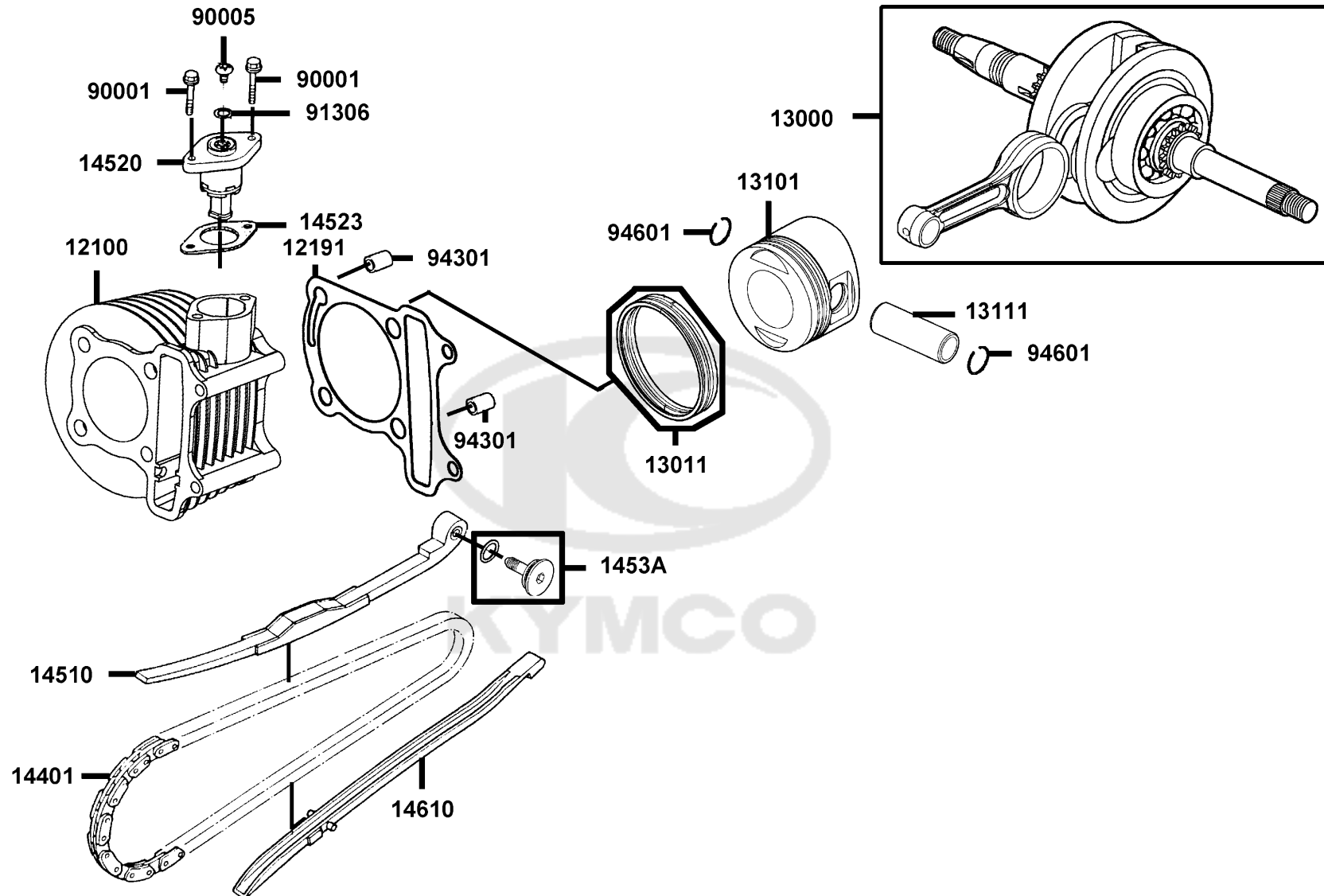


Sales mark	Ref no	Part no	Description	Reg description	Regd no	E02
	95701-06035	95701-06035-08	BOLT FLANGE 6*35	BOLT FLANGE 6*35	1	
	95701-06050	95701-06050-08	BOLT FLANGE 6*50 (C)	BOLT FLANGE 6*50 (C)	1	
	96001-06014	96001-06014-08	BOLT FLANGE 6*14	BOLT FLANGE 6*14	1	
	96001-06100	96001-06100-08	BOLT FLANGE SH 6*100	BOLT FLANGE SH 6*100 (C)	2	
	98056	98056-5771R-00	SPARK PLUG (CR7HSA)	SPARK PLUG (CR7HSA)	1	



E03

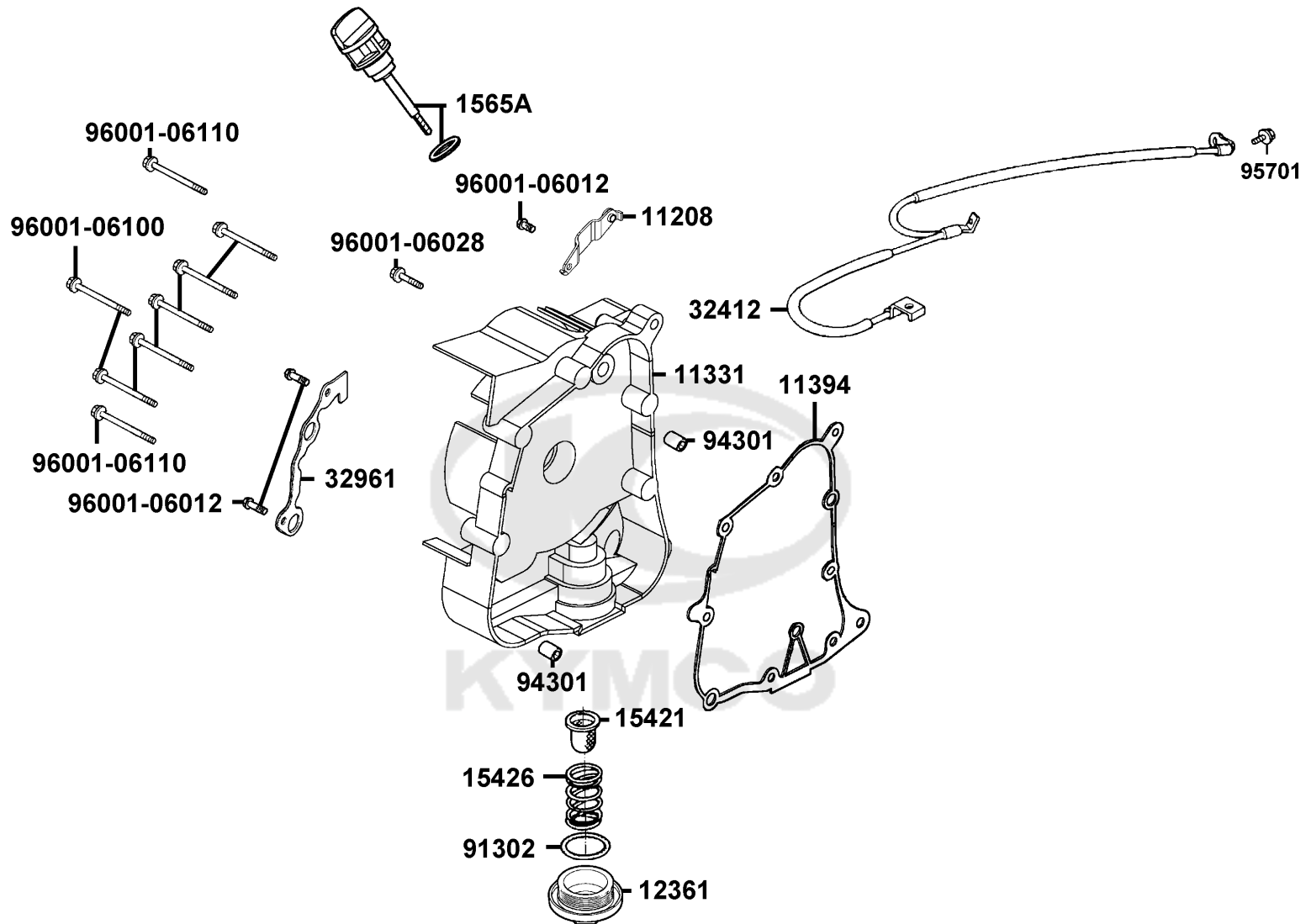
Cylinder Piston Crankshaft



Sales mark	Ref no	Part no	Description	Reg description	Regd no	E03
	12100	12100-LCD4-C00	CYLINDER COMP	CYLINDER COMP	1	
#	12191	12191-LGS6-E90	GASKET,CYLINDER	GASKET CYLINDER	1	
	13000	13000-KFB7-405	CRANK SHIFT SET	CRANK SHIFT SET	1	
	13011	13011-LCD4-E00	RING ASSY PISTON	RING ASSY PISTON	1	
	13101	13101-LCD4-E00	PISTON	PISTON	1	
	13111	13111-KKJ9-C10	PIN PISTON	PIN PISTON	1	
	14401	14401-KUDU-C00	CHAIN CAM	CHAIN CAM	1	
#	14510	14510-KUDU-C00	TENSIONER CAM CHAIN	TENSIONER CAM CHAIN	1	
	14520	14520-GFY6-C00	LIFTER ASSY TENSIONER	LIFTER ASSY TENSIONER	1	
#	14523	14523-GFY6-E90	GASKET TENSIONER LIFTER @A	GASKET TENSIONER LIFTER @A	1	
	1453A	1453A-GFY6-W10	PIVOT CAM CHAIN SET	PIVOT CAM CHAIN SET	1	
#	14610	14610-KUDU-C00	GUIDE COMP CAM CHAIN	GUIDE COMP CAM CHAIN	1	
	90001	90001-GBHB-C00	BOLT FLANGE SHF 6*22 (B)	BOLT FLANGE SHF 6*22 (B)	1	
	90005	90005-KAW1-901	SCREW PAN 6*6	SCREW PAN 6*6	1	
	91306	91306-1E05-C00	O-RING 1.5*9.5	O-RING 1.5*9.5	1	
	94301	94301-10160	DOWEL PIN 10*16	DOWEL PIN 10*16	2	
	94601	94601-15000	CLIP PISTON PIN 15MM	CLIP PISTON PIN 15MM	2	

E04

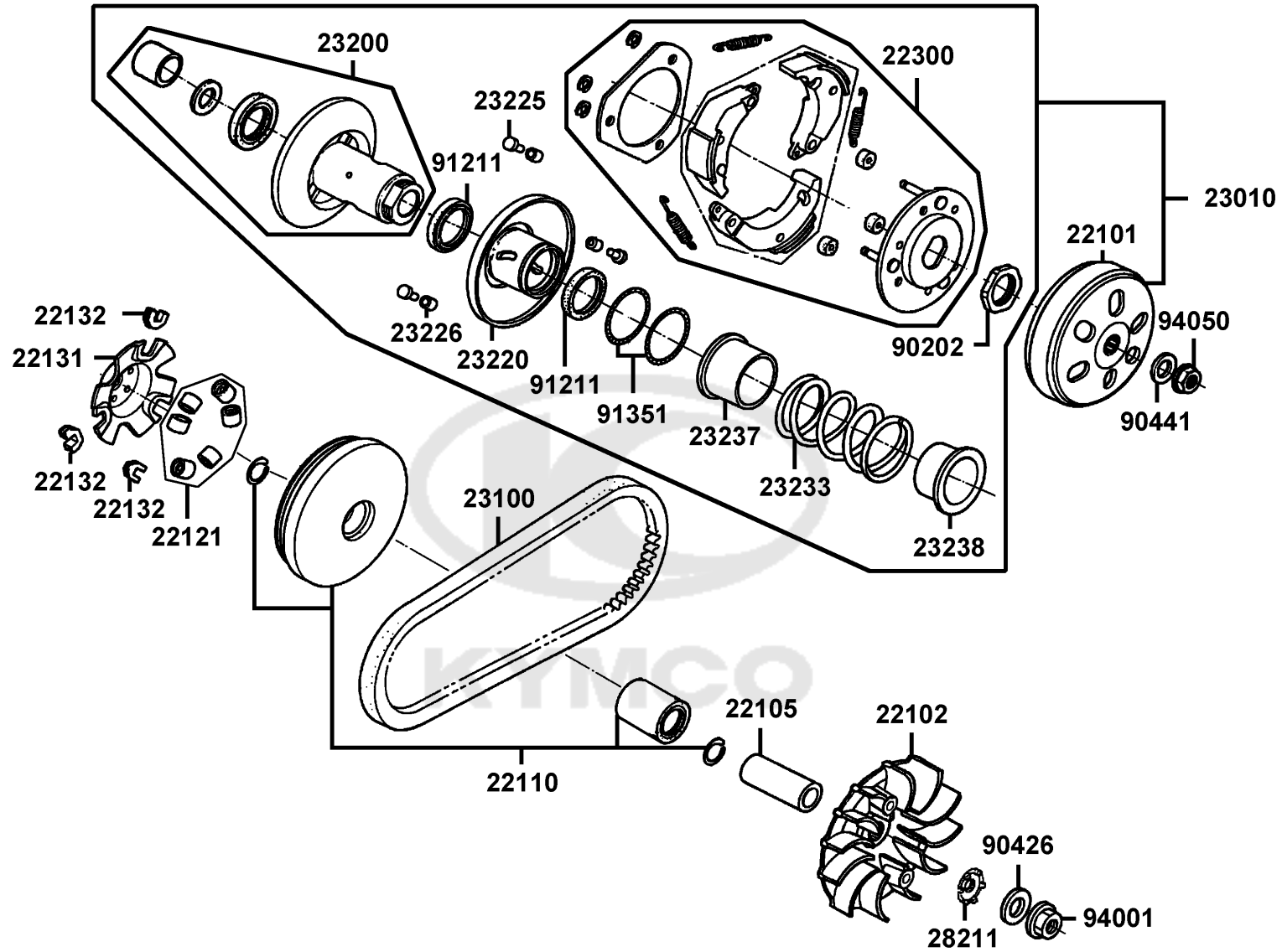
Right Crankcase Cover



Sales mark	Ref no	Part no	Description	Reg description	Regd no	E04
	11208	11208-LFC3-E10	STAY RR TIRE FENDER	STAY RR TIRE FENDER	1	
	11331	11331-LCD3-E00	COVER R CRANK CASE	COVER R CRANK CASE	1	
#	11394	11394-KUDU-E90	GASKET.R COVER	GASKET R COVER	1	
	12361	12361-GFY6-C00	HOLE CAP TAPPET ADJUSTING	HOLE CAP TAPPET ADJUSTING	1	
	15421	15421-1G07-W10	SCREEN OIL FILTER	SCREEN OIL FILTER	1	
	15426	15426-GAE1-C00	SPG OIL FILTER SCREEN	SPRING OIL FILTER SCREEN	1	
	1565A	1565A-KUDU-W10	GAUGE OIL LEVEL ASSY	GAUGE OIL LEVEL ASSY	1	
	32412	32412-LEH3-C10	GUAGE OIL LEVEL	GUAGE OIL LEVEL	1	
	32961	32961-KUDU-C00	CLAMPER ACG CORD	CLAMPER ACG CORD	1	
	91302	91302-0A01-C00	O-RING 30.8MM	O-RING 30.8MM	1	
	94301	94301-10160	DOWEL PIN 10*16	DOWEL PIN 10*16	2	
	95701	95701-06012-08	BOLT FLANGE 6*12	BOLT FLANGE 6*12	1	
	96001-06012	96001-06012-08	BOLT FLANGE 6*12	BOLT FLANGE 6*12	3	
	96001-06028	96001-06028-08	BOLT FLANGE SH 6*28	BOLT FLANGE SH 6*28	1	
	96001-06100	96001-06100-08	BOLT FLANGE SH 6*100	BOLT FLANGE SH 6*100 (C)	6	
	96001-06110	96001-06110-08	BOLT FLANGE SH 6*110	BOLT FLANGE SH 6*110	2	

E05

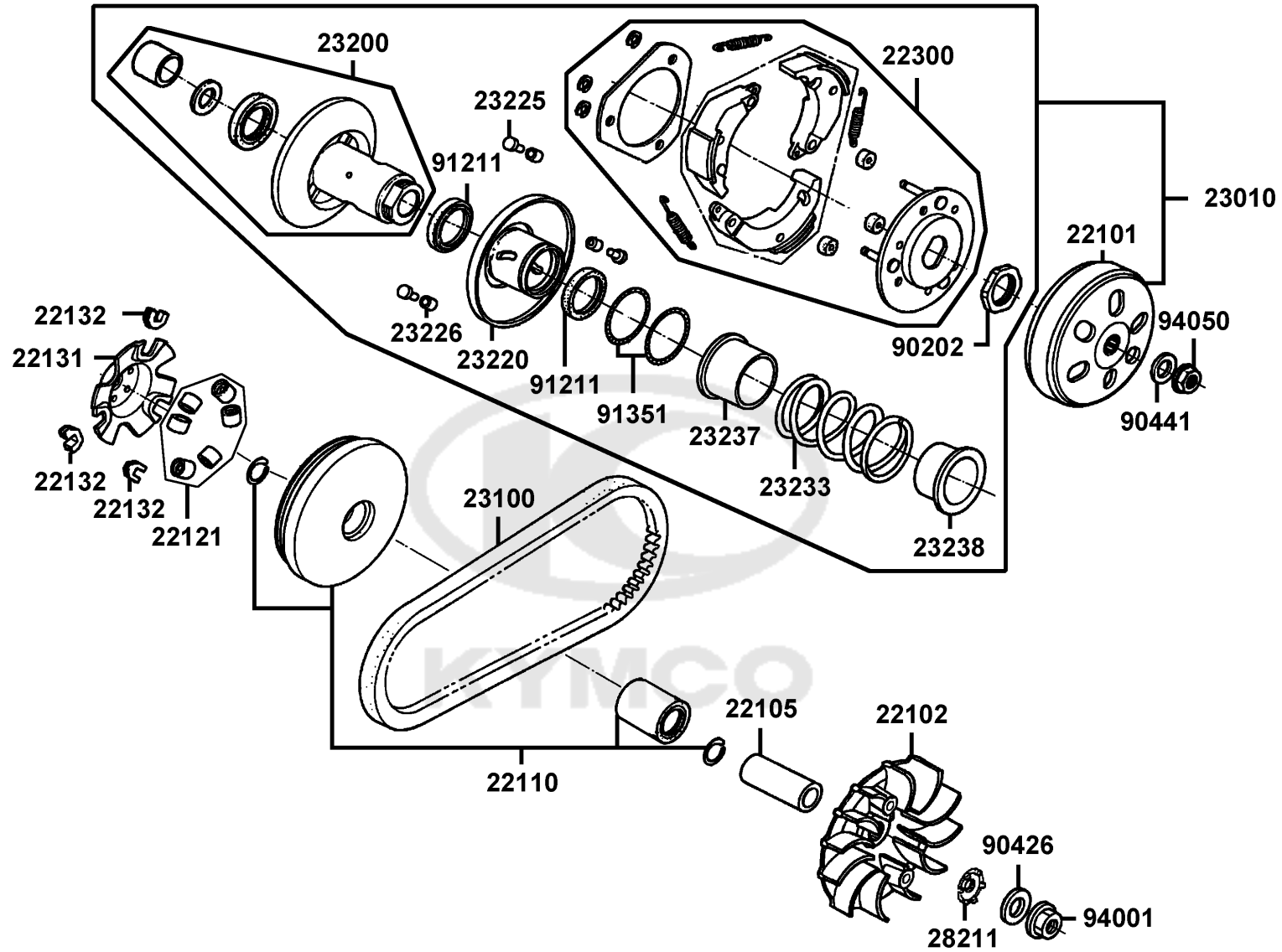
Driven Pulley




Sales mark	Ref no	Part no	Description	Reg description	Regd no	E05
#	22101	22101-LCD3-C00	OUTER CLUTCH	OUTER CLUTCH	1	
	22102	22102-KUDU-C00	FACE DRIVE	FACE DRIVE	1	
	22105	22105-GFY6-C10	BOSS DRIVE FACE	BOSS DRIVE FACE	1	
#	22110	22110-KUDU-E80	FACE MOVABLE DRIVE	FACE COMP. MOVABLE DRIVE	1	
#	22121	22121-KKD7-C00	ROLLER COMP WEIGHT	ROLLER COMP WEIGHT	6	
	22131	22131-GFY6-C00	PLATE RAMP	PLATE RAMP	1	
	22132	22132-KBN2-C00	PIECE SLIDE	PIECE SLIDE	1	
	22300	22300-LCD4-C00	PLATE ASSY DRIVE	PLATE ASSY DRIVE	1	
	23010	23010-LCD4-E00	PULLEY ASSY DRIVEN	PULLEY ASSY DRIVEN	1	
	23100	23100-LCD4-E0A	BELT DRIVE	BELT DRIVE	1	
	23200	23200-GFY6-C00	FACE ASSY DRIVEN	FACE ASSY DRIVEN	1	
	23220	23220-KFBF-C00	FACE COMP MOVABLE DRIVEN	FACE COMP MOVABLE DRIVEN	1	
	23225	23225-GHC8-C00	PIN ROLLER GUIDE	PIN ROLLER GUIDE	1	
	23226	23226-GHC8-C00	ROLLER GUIDE	ROLLER GUIDE	1	
	23233	23233-GCW3-C00	SPG DRIVEN FACE	SPG DRIVEN FACE	1	
	23237	23237-GFY6-C00	COLLAR SEAL	COLLAR SEAL	1	
	23238	23238-GFY6-C00	COLLAR SPG	COLLAR SPG	1	
	28211	28211-KUDU-W10	RATCHET KICK STARTER	RATCHET KICK STARTER	1	
	90202	90202-1G87-C00	NUT SPECIAL 28MM	NUT SPECIAL 28MM	1	
	90426	90426-KNBN-C00	WASHER SPECIAL 12MM	WASHER SPECIAL 12MM	1	

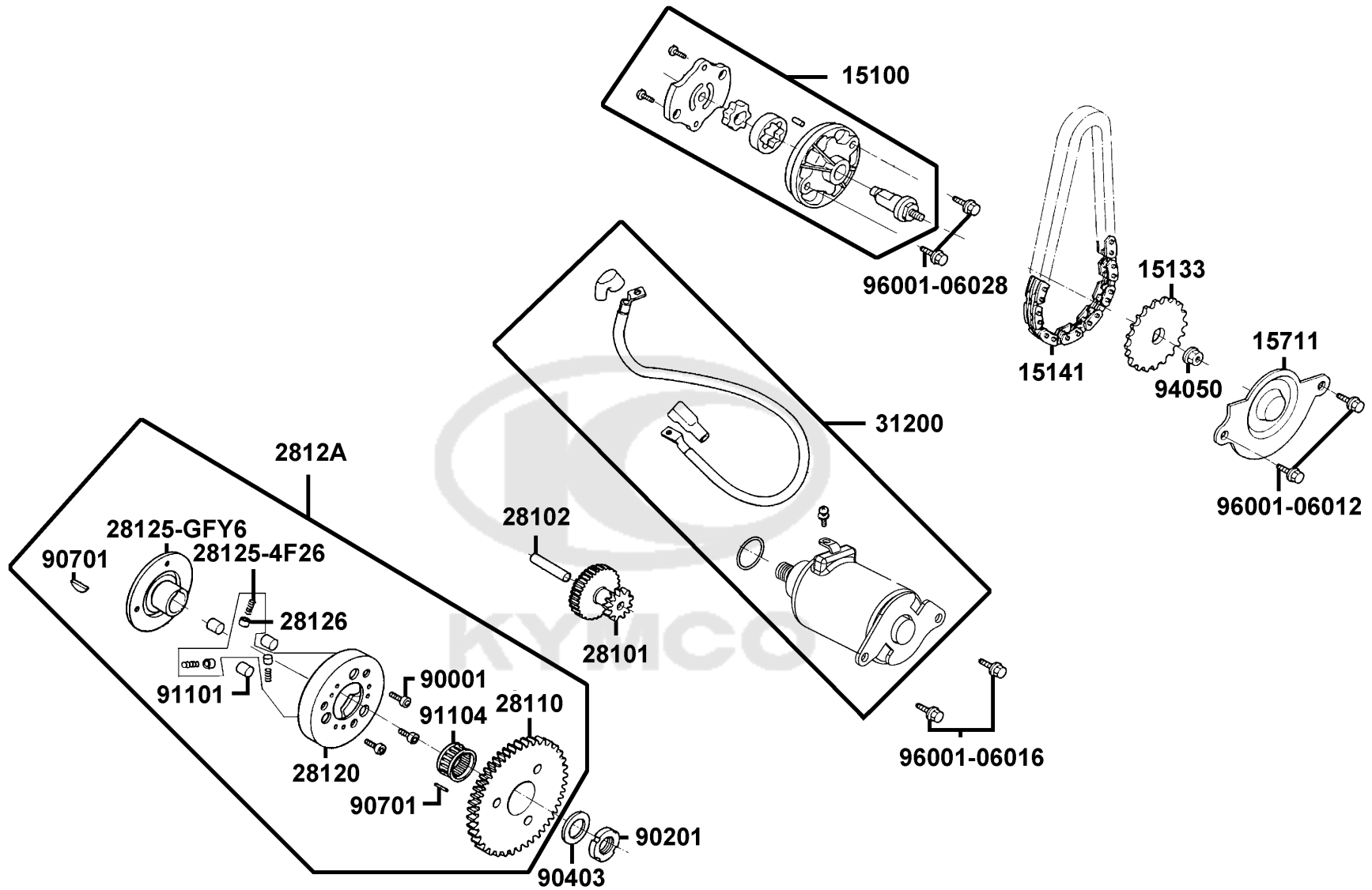
E05

Driven Pulley



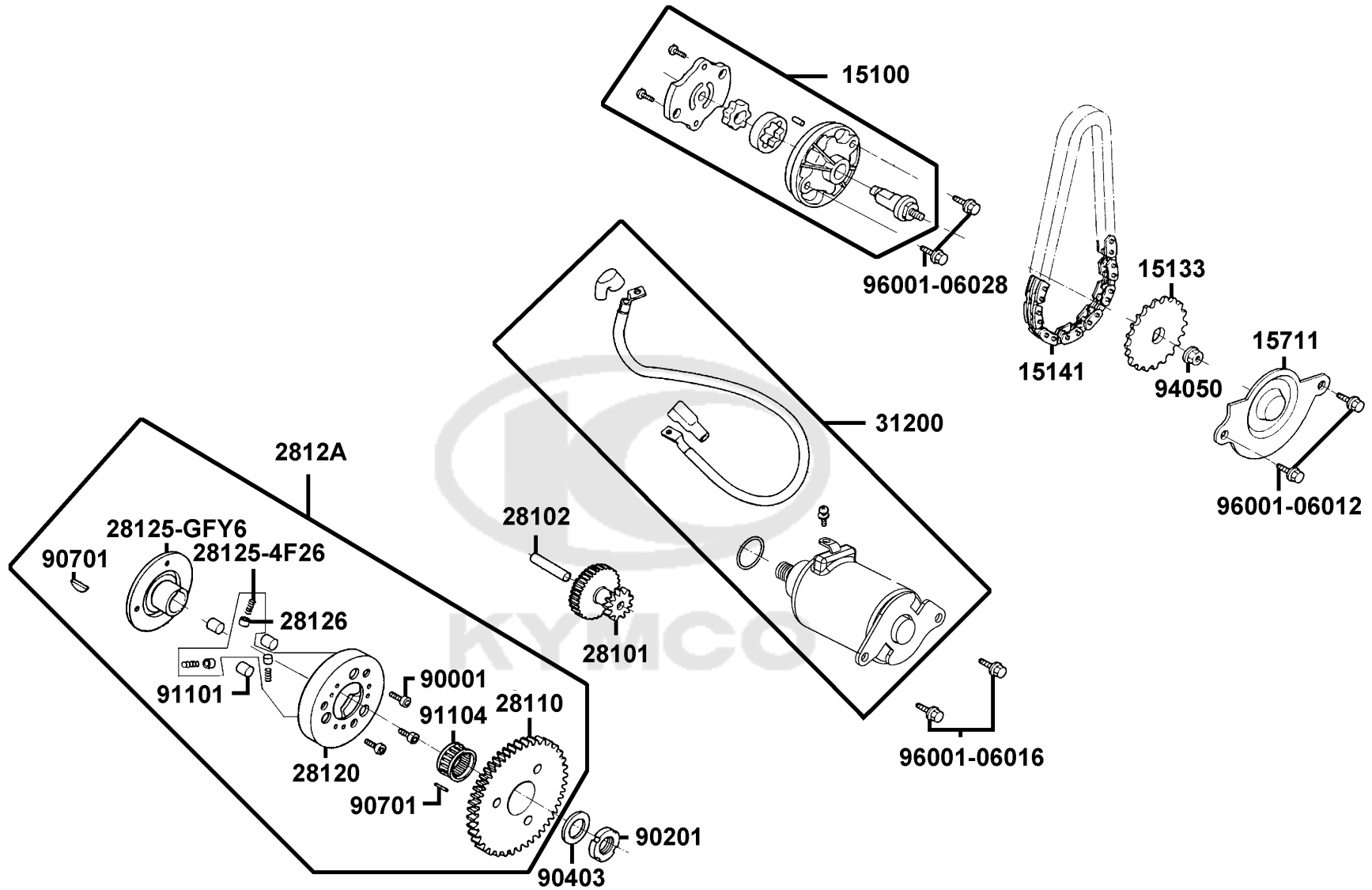
Sales mark	Ref no	Part no	Description	Reg description	Regd no	E05
	90441	90441-GFY6-C00	WASHER 12.2*29*2.5	WASHER 12.2*29*2.5	1	
	91211	91211-KEBE-C00	SEAL DRIVEN FACE 34*41*4	SEAL DRIVEN FACE 34*41*4	1	
	91351	91351-6B42-C00	O-RING PINION CAP	O-RING PINION CAP	1	
	94001	94001-12280-0S	NUT HEX 12MM	NUT HEX 12MM	1	
	94050	94050-12080	NUT C FLANGE 12MM	NUT C FLANGE 12MM	1	
						

Starting Motor Oil Pump



Sales mark	Ref no	Part no	Description	Reg description	Regd no	E06
15100		15100-KFB7-C00	PUMP ASSY OIL	PUMP ASSY OIL	1	
15133		15133-GFY6-W10	SPROCKET OIL PUMP DRIVE	SPROCKET OIL PUMP DRIVE	1	
15141		15141-GFY6-C00	CHAIN OIL PUMP	CHAIN OIL PUMP	1	
15711		15711-KUDU-C00	SEPARATER OIL	SEPARATER OIL	1	
28101		28101-GFY6-C00	GEAR STARTER REDUCTION	GEAR STARTER REDUCTION	1	
28102		28102-GFY6-C00	SHAFT STARTER REDUCTION GEAR	SHAFT STARTER REDUCTION GEAR	1	
28110		28110-GFY6-C10	GEAR COMP STARTING CLUTCH	GEAR COMP STARTING CLUTCH	1	
28120		28120-GFY6-C10	OUTER COMP STARTING CLUTCH	OUTER COMP STARTING CLUTCH	1	
28125-4F26		28125-4F26-C00	SPRING ROLLER STARTER CLUTCH	SPRING ROLLER STARTER CLUTCH	1	
28125-GFY6		28125-GFY6-C10	FLANGE STARTING CLUTCH	FLANGE STARTING CLUTCH	1	
28126		28126-GFY6-C10	CAP STARTING ROLLER SPRING	CAP STARTING ROLLER SPRING	3	
2812A		2812A-GFY6-C10	OUTER ASSY START CLUTCH	OUTER ASSY START CLUTCH	1	
31200		31200-KUDU-C00	MOTOR ASSY START	MOTOR ASSY START	1	
90001		90001-GFY6-C00	SOCKET BOLT 6*10	SOCKET BOLT 6*10	1	
90201		90201-GFY6-901	NUT LOCK 22MM	NUT LOCK 22MM	1	
90403		90403-KUDU-900	WASHER THRUST 22.2*39*2.5	WASHER THRUST 22.2*39*2.5	1	
90701		90701-GFY6-C00	PIN DOWEL 5*6	PIN DOWEL 5*6	1	
91101		91101-1K79-C00	ROLLER 10*10	ROLLER 10*10	1	
91104		91104-GFY6-C00	BRG NEEDLE 28*32*17	BRG NEEDLE 28*32*17	1	
94050		94050-06080	NUT FLANGE 6MM	NUT FLANGE 6MM	1	

Starting Motor Oil Pump



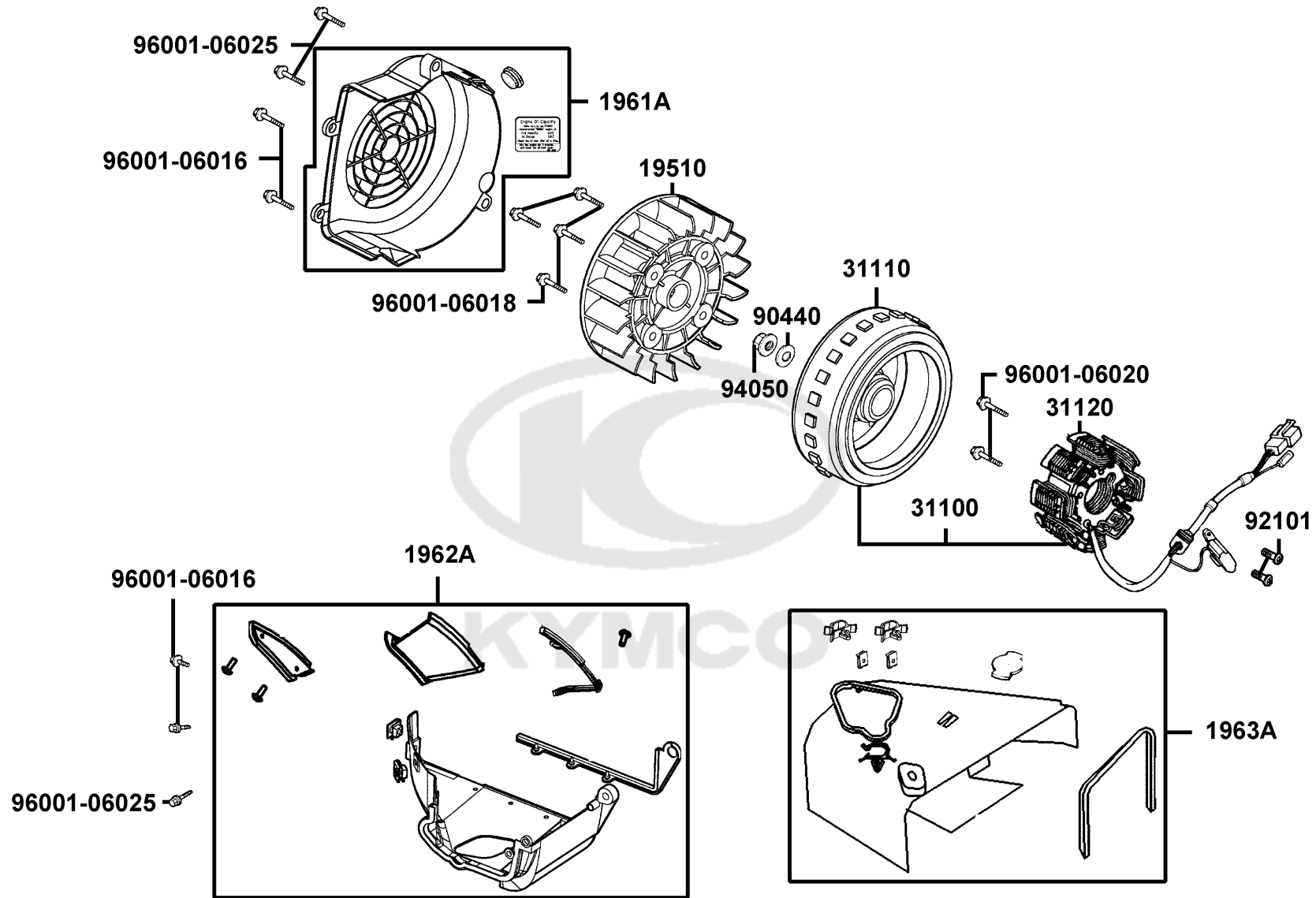
Sales mark	Ref no	Part no	Description	Reg description	Regd no	E06
------------	--------	---------	-------------	-----------------	---------	------------

	96001-06012	96001-06012-08	BOLT FLANGE 6*12	BOLT FLANGE 6*12	2	
	96001-06016	96001-06016-08	BOLT FLANGE SH 6*16	BOLT FLANGE SH 6*16	2	
	96001-06028	96001-06028-08	BOLT FLANGE SH 6*28	BOLT FLANGE SH 6*28	2	

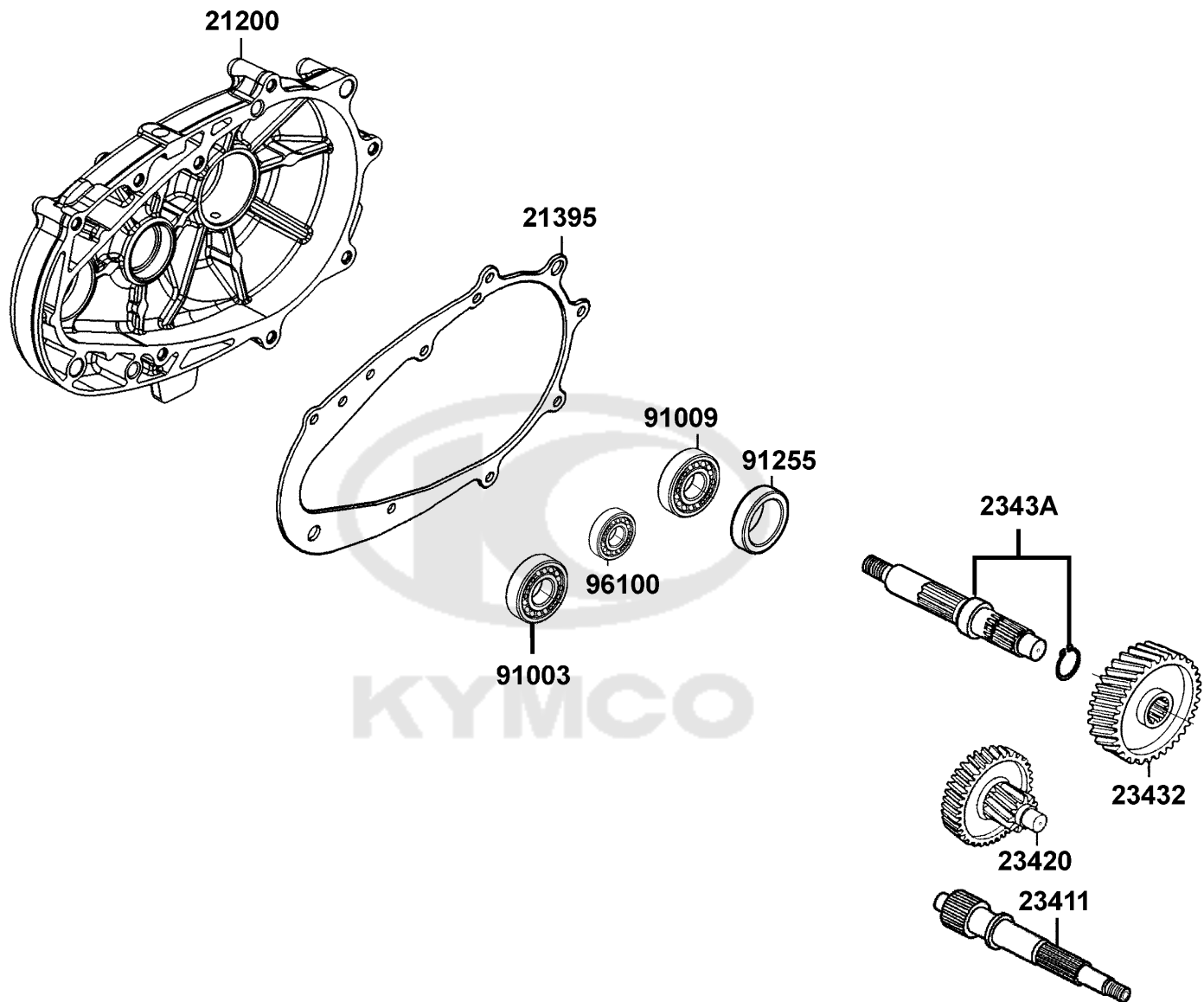


E07

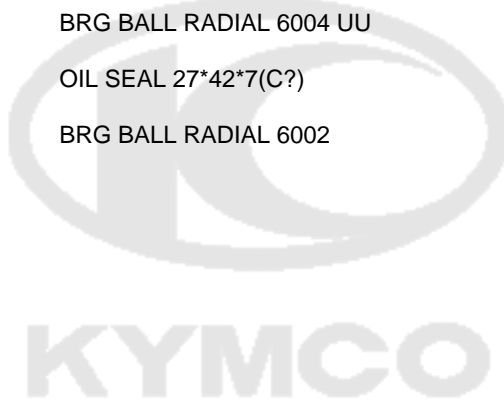
Fan Cover Generator



Sales mark	Ref no	Part no	Description	Reg description	Regd no	E07
	19510	19510-KFB7-C00	FAN COMP COOLING	FAN COMP COOLING	1	
	1961A	1961A-KUDU-E10	COVER ASSY FAN	COVER ASSY FAN	1	
	1962A	1962A-LEJ8-E00	SHROUD ASSY A	SHROUD ASSY A	1	
	1963A	1963A-LGS6-E10	SHROUD ASSY B	SHROUD ASSY B	1	
	31100	31100-LGS6-E10	A.C. GEN. ASS'Y	A.C. GEN. ASS'Y	1	
	31110	31110-KKE3-90A	FLYWHEEL COMP /D406	FLYWHEEL COMP /D406	1	
	31120	31120-LGS6-E10	STATOR COMP.	STATOR COMP.	1	
	90440	90440-1F66-C00	WASHER PLAIN 12MM	WASHER PLAIN 12MM	1	
	92101	92101-05012-0H	BOLT HEX 5*12	BOLT HEX 5*12	2	
	94050	94050-12080	NUT C FLANGE 12MM	NUT C FLANGE 12MM	1	
	96001-06016	96001-06016-08	BOLT FLANGE SH 6*16	BOLT FLANGE SH 6*16	4	
	96001-06018	96001-06018-08	BOLT FLANGE SH 6*18	BOLT FLANGE SH 6*18	4	
	96001-06020	96001-06020-08	BOLT FLANGE SH 6*20	BOLT FLANGE SH 6*20	2	
	96001-06025	96001-06025-08	BOLT FLANGE SH 6*25	BOLT FLANGE SH 6*25 (C)	3	



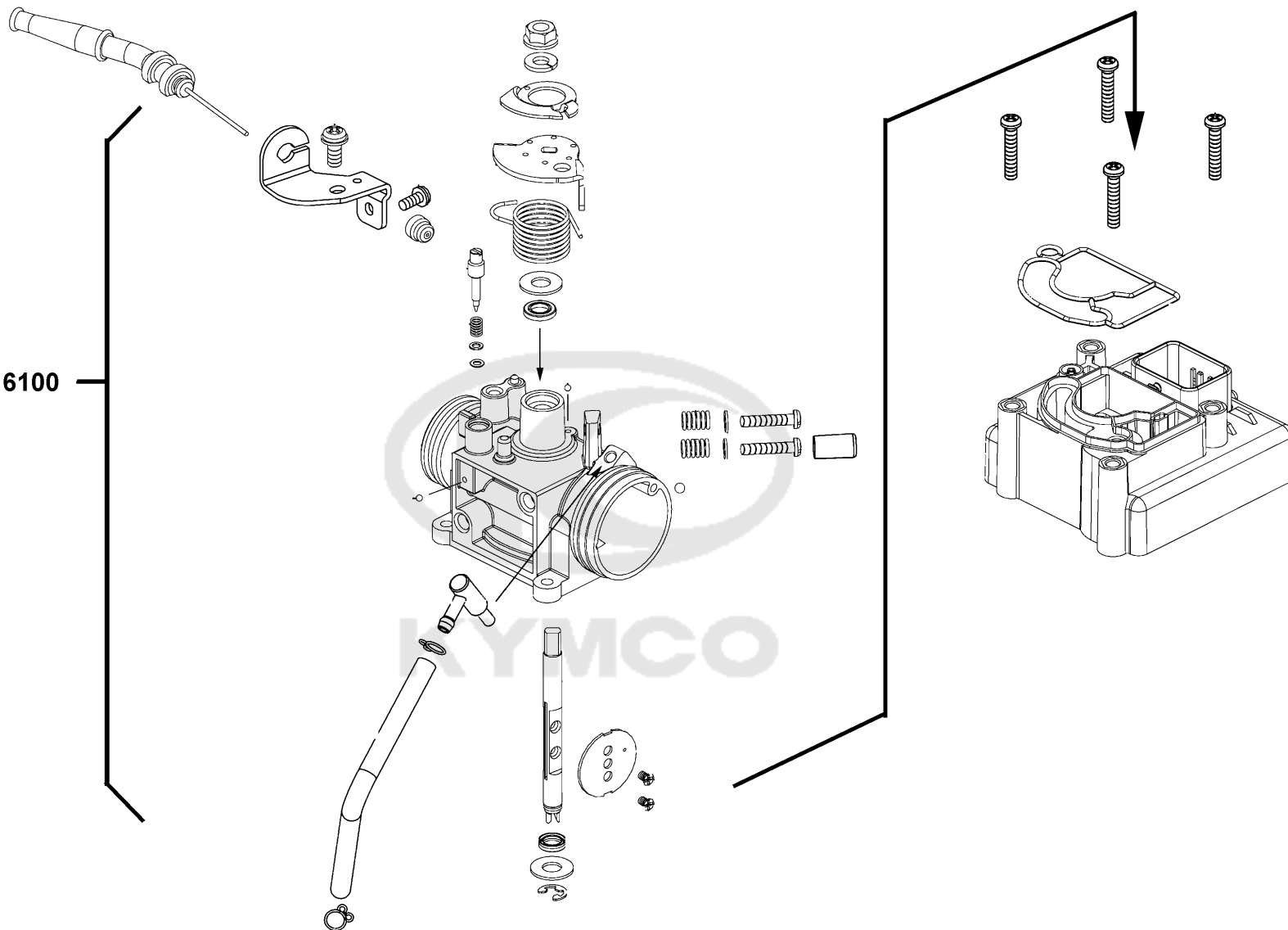
Sales mark	Ref no	Part no	Description	Reg description	Regd no	E08
	21200	21200-LEJ8-C00	CASE COMP MISSION	CASE COMP MISSION	1	
#	21395	21395-LCD3-E90	GASKET MISSION CASE@A	GASKET MISSION CASE@A	1	
	23411	23411-KHB4-C00	SHAFT DRIVE	SHAFT DRIVE	1	
	23420	23420-LCD3-C00	SHAFT COMP COUNTER	SHAFT COMP COUNTER	1	
	23432	23432-LCD3-C00	GEAR FINAL	GEAR FINAL	1	
	2343A	2343A-KHB4-C00	SHAFT FINAL ASSY	SHAFT FINAL ASSY	1	
	91003	91003-KDS4-C00	BRG BALL RADIAL 6301TMB	BRG BALL RADIAL 6301TMB	1	
	91009	91009-GLE0-C00	BRG BALL RADIAL 6004 UU	BRG BALL RADIAL 6004 UU	1	
	91255	91255-LDC8-E10	OIL SEAL 27*42*7(C?)	OIL SEAL 27*42*7(C?)	1	
	96100	96100-60020-00	BRG BALL RADIAL 6002	BRG BALL RADIAL 6002	1	



E09

Carburetor

16100



Sales mark	Ref no	Part no	Description	Reg description	Regd no	E09
------------	--------	---------	-------------	-----------------	---------	------------

16100

16100-LKD2-E10

THROTTLE BODY ASSY/ECU

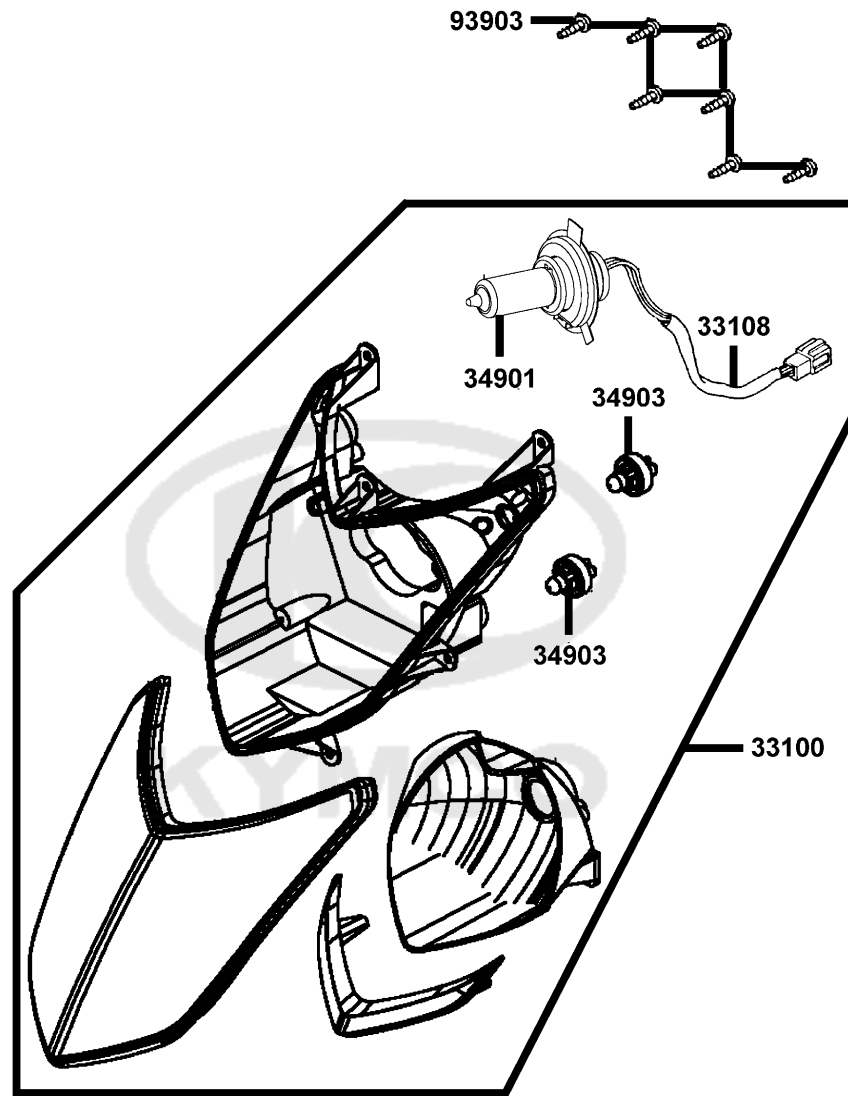
THROTTLE BODY ASSY/ECU

1



F01

Head Light



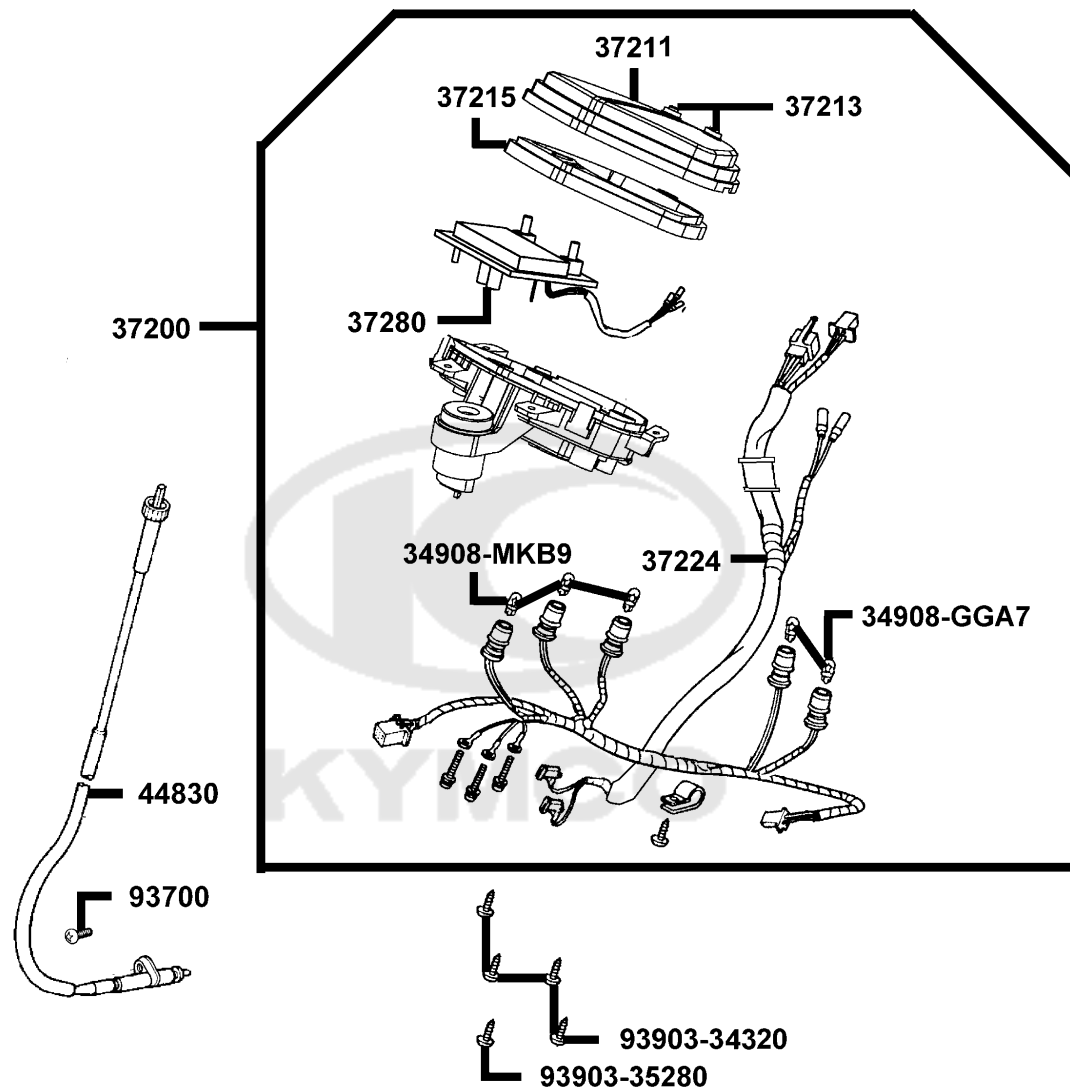
Sales mark	Ref no	Part no	Description	Reg description	Regd no	F01
------------	--------	---------	-------------	-----------------	---------	------------

33100		33100-LFC2-E10	LIGHT ASSY HEAD	LIGHT ASSY HEAD	1	
33108		33108-LFC2-E10	SOCKET COMP HEAD LIGHT	SOCKET COMP HEAD LIGHT	1	
34901		34901-LDC8-E10	BULB HEAD LIGHT	BULB HEAD LIGHT	1	
34903		34903-LDC8-E10	BULB POSITION	BULB POSITION	2	
93903		93903-35220	SCREW TAPPING 5*12	SCREW TAPPING 5*12	7	



F02

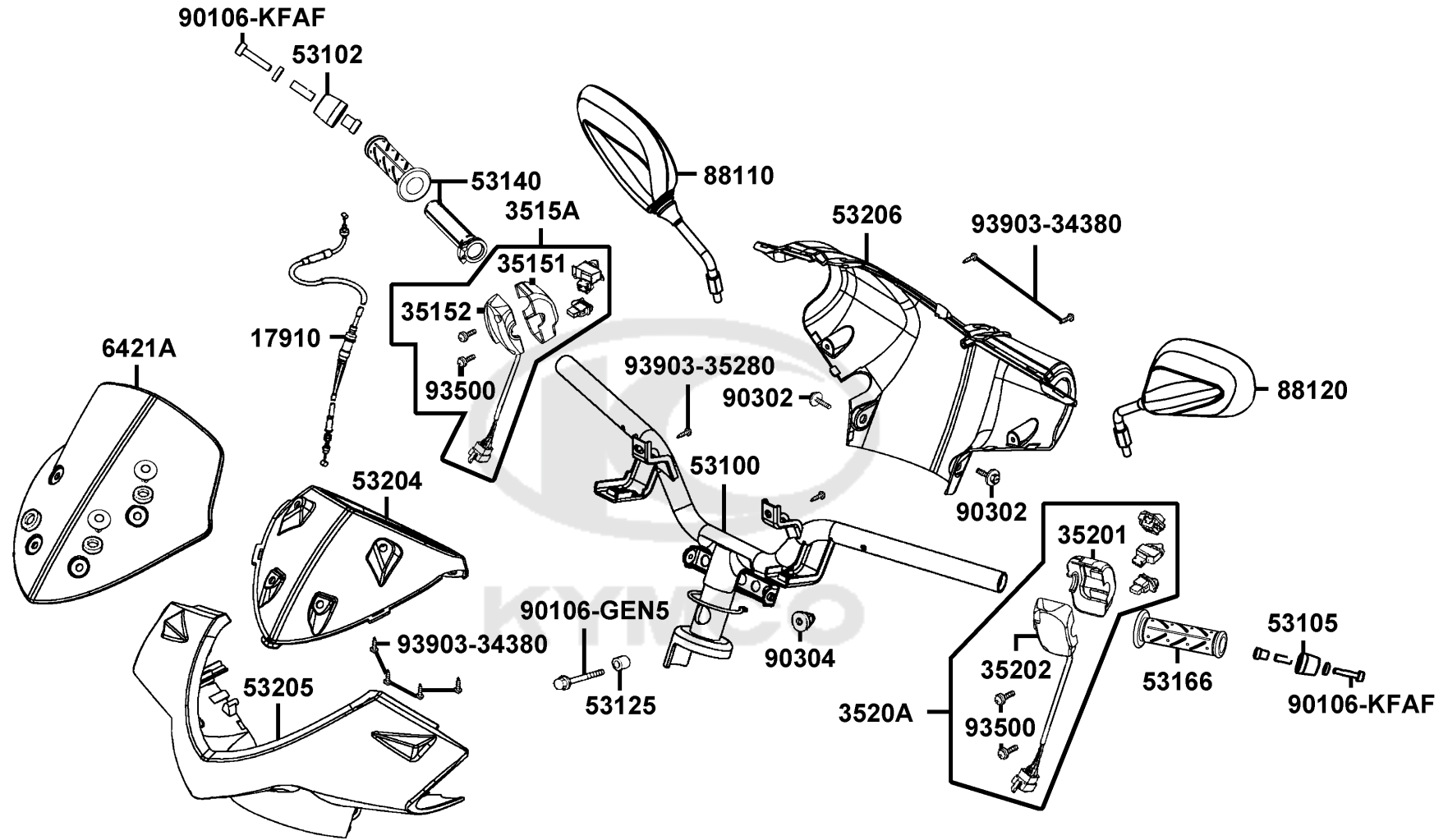
Speedometer



Sales mark	Ref no	Part no	Description	Reg description	Regd no	F02
	34908-GGA7	34908-GGA7-C00	BULB,WEDGE BASE T10	"BULB,WEDGE BASE T10"	1	
	34908-MKB9	34908-MKB9-C00	BULB WEDGE BASE	BULB WEDGE BASE T10	1	
	37200	37200-LKD2-E10	METER ASSY SPEED	METER ASSY SPEED	1	
	37211	37211-LFC2-E10	LENS COMP METER	LENS COMP METER	1	
	37213	37213-LFC2-E10	BUTTON ADJUST	BUTTON ADJUST	2	
	37215	37215-LFC2-E10	PLATE COSMETIC	PLATE COSMETIC	1	
	37224	37224-LKD2-E10	SOCKET COMP. METER	SOCKET COMP. METER	1	
	37280	37280-LEJ2-E0A	LCD ASSY (LOCK)	LCD ASSY (LOCK)	1	
	44830	44830-LCD3-C00	CABLE COMP SPDMT	CABLE COMP SPDMT	1	
	93700	93700-05018-0H	SCREW OVAL 5*18	SCREW OVAL 5*18	1	
	93903-34320	93903-34320	SCREW TAPPING 4*12	SCREW TAPPING 4*12	4	
	93903-35280	93903-35280	SCREW TAPPING 5*12(K)	SCREW TAPPING 5*12(K)	1	

F03

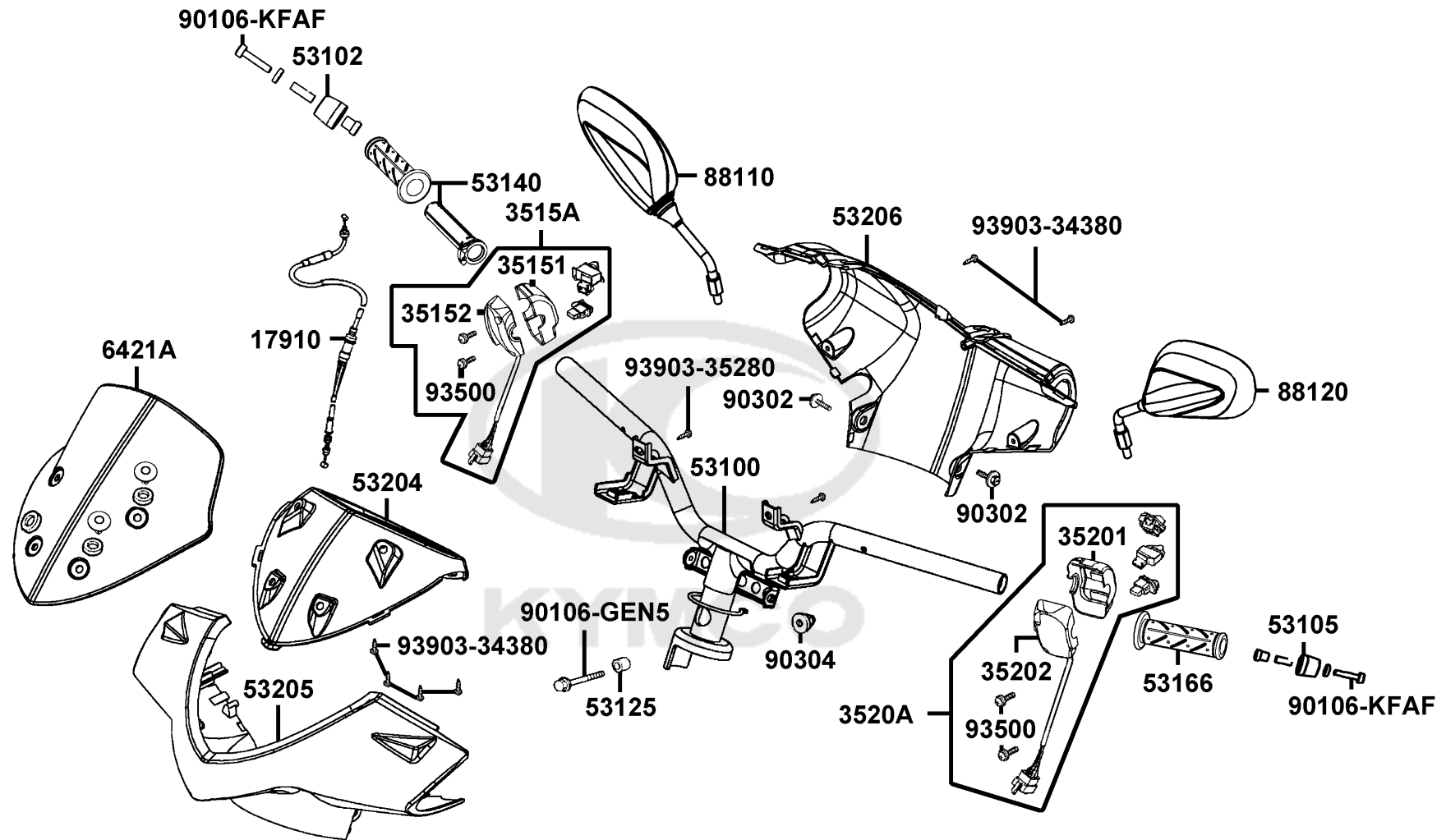
Handle Steering Handle Cover




Sales mark	Ref no	Part no	Description	Reg description	Regd no	F03
	17910	17910-LGS6-E10	CABLE COMP THROT	CABLE COMP THROT	1	
	35151	35151-LGB5-E10	FR CASE RH HNDL COMP SW	FR CASE RH HNDL COMP SW	1	
	35152	35152-LGB5-E10	RR CASE RH HNDL COMP SW	RR CASE RH HNDL COMP SW	1	
	3515A	3515A-LGB5-E10	SW ASSY RH HANDLE COMP	SW ASSY RH HANDLE COMP	1	
	35201	35201-LGB5-E10	FR CASE LH HNDL COMP SW	FR CASE LH HNDL COMP SW	1	
	35202	35202-LGB5-E10	RR CASE LH HNDL SW COMP	RR CASE LH HNDL SW COMP	1	
	3520A	3520A-LGB5-E11	"SW ASS'Y..LH HANDLE COMP"	"SW ASS'Y..LH HANDLE COMP"	1	
	53100	53100-LFC3-E10	HANDLE COMP STRG	HANDLE COMP STRG	1	
	53102	53102-LFC3-E10	END L HANDLE	END L HANDLE	1	
	53105	53105-LFC4-E10	END L HANDLE	END L HANDLE	1	
	53125	53125-GEN5-C00	COLLAR HANDLE SET	COLLAR HANDLE SET	1	
	53140	53140-LEJ2-E10	GRIP COMP THROT	GRIP COMP THROT	1	
	53166	53166-LEJ2-E10	GRIP L HANDLE	GRIP L HANDLE	1	
**	53204	53204-LFC2-E10	COVER METER	COVER METER	1	
**	53205	53205-LFC2-E10	COVER HANDLE FR	COVER HANDLE FR	1	
**	53206	53206-LFC2-E10	COVER HANDLE RR	COVER HANDLE RR	1	
	6421A	6421A-LFC2-E10	SPONGE VISOR	SPONGE VISOR	1	
# **	88110	88110-LEB5-C11	MIRROR ASSY R BACK	MIRROR ASSY R BACK	1	
# **	88120	88120-LEB5-C11	MIRROR ASSY L BACK	MIRROR ASSY L BACK	1	
	90106-GEN5	90106-GEN5-901	BOLT FLANGE 10*50	BOLT FLANGE 10*50	1	

F03

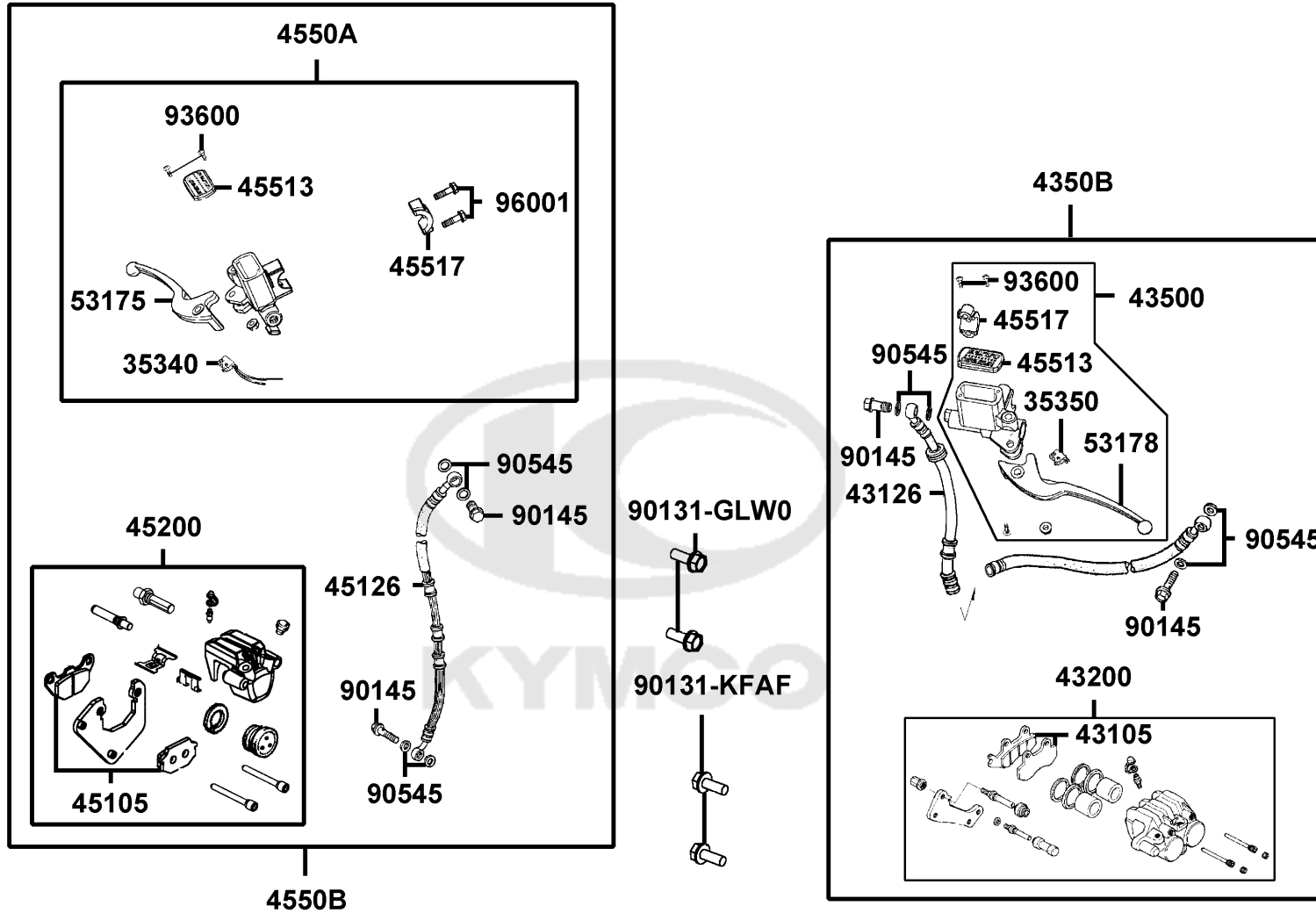
Handle Steering Handle Cover



Sales mark	Ref no	Part no	Description	Reg description	Regd no	F03
	90106-KFAF	90106-KFAF-900	BOLT SPECIAL	BOLT SPECIAL	2	
	90302	90302-LLB1-C00	BOLT-WASH 5*12	BOLT-WASH 5*12	1	
	90304	90304-GHE8-C00	NUT U 10MM (C)	NUT U 10MM (C)	1	
	93500	93500-05025	SCREW PAN 5*25	SCREW PAN 5*25	4	
	93903-34380	93903-34380	SCREW TAPPING 4*12	SCREW TAPPING 4*12(K)	6	
	93903-35280	93903-35280	SCREW TAPPING 5*12(K)	SCREW TAPPING 5*12(K)	2	
						

F04

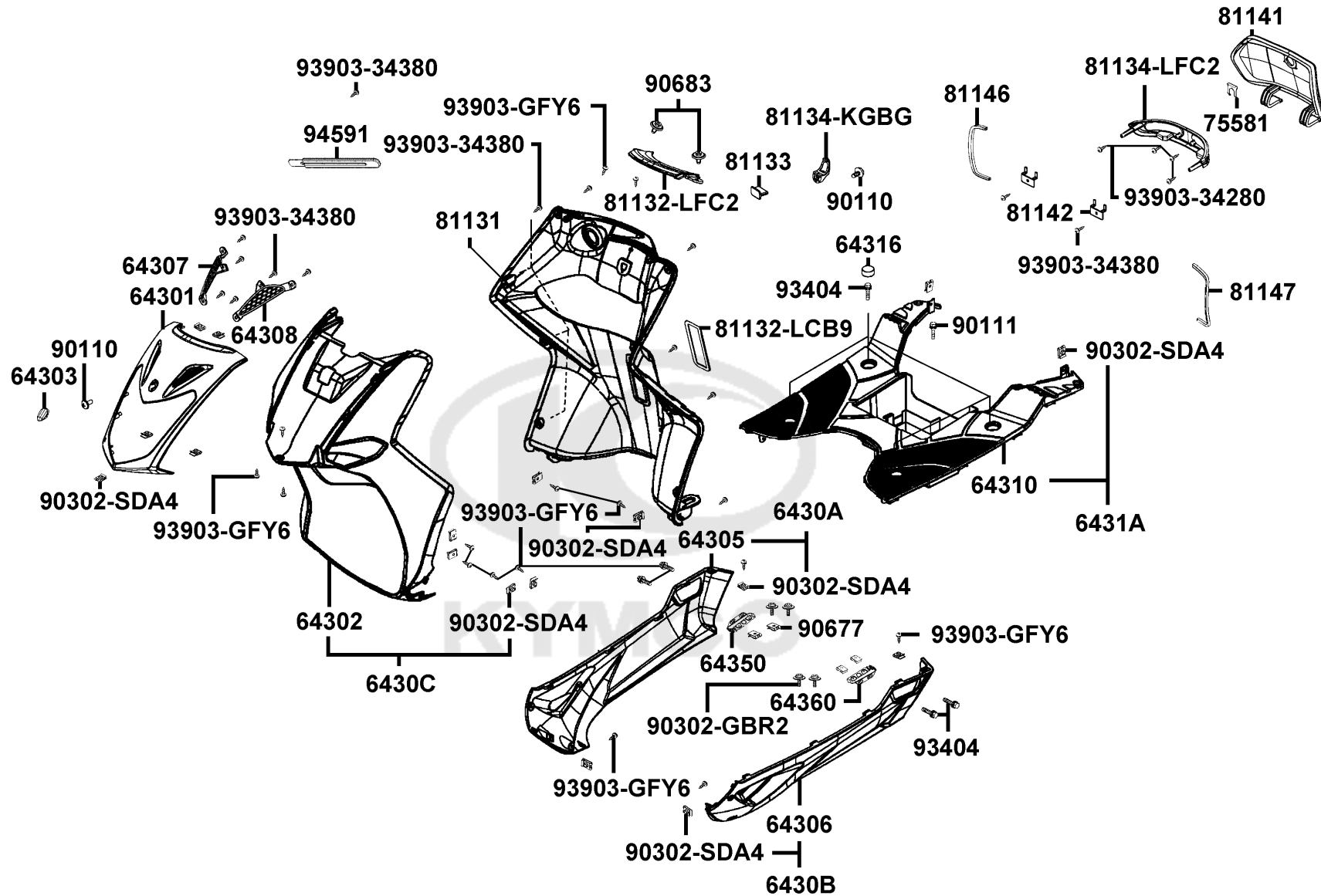
Brake Master Cylinder



Sales mark	Ref no	Part no	Description	Reg description	Regd no	F04
	35340	35340-KNBN-901	SW ASSY FR STOP	SW ASSY FR STOP	1	
	35350	35350-KNBN-901	SW ASSY RR STOP	SW ASSY RR STOP	1	
	43105	43105-LFC4-305	PAD COMP A AND B	"PAD COMP,A+B"	1	
	43126	43126-LFC4-E10	HOSE ASSY RR BRK	HOSE ASSY RR BRK	1	
	43500	43500-LFC3-E10	M/C ASY FR BRK	M/C ASY FR BRK	1	
	4350B	4350B-LFC4-E10	SUB ASSY RR BRK	SUB ASSY RR BRK	1	
#	45105	45105-LEJ2-306	PAD COMP A+B	PAD COMP A+B	1	
	45126	45126-LFC2-E10	HOSE ASSY FR BRK	HOSE ASSY FR BRK	1	
	4550A	4550A-LFC2-E1A	M/C ASSY FR	M/C ASSY FR	1	
	4550B	4550B-LFC2-E10	SUB ASSY FR BRK	SUB ASSY FR BRK	1	
	45513	45513-KCCC-900	CAP M/C	CAP M/C	1	
	45517	45517-KFAF-910	HOLDER M/C	HOLDER M/C	1	
	53175	53175-KTCT-C00	LEVER R STRG HNDL	LEVER R STRG HNDL	1	
**	53178	53178-KNBN-C00	LEVER L STRG HANDLE	LEVER L STRG HANDLE	1	
	90131-GLW0	90131-GLW0-C00	BOLT FLANGE 8*35	BOLT FLANGE 8*35	1	
	90131-KFAF	90131-KFAF-C00	BOLT FLANGE 8*42	BOLT FLANGE 8*42	1	
	90145	90145-9A61-C00	OIL BOLT 10*22	OIL BOLT 10*22	1	
	90545	90545-3L00-C00	WASHER OIL BOLT	WASHER OIL BOLT	1	
	93600	93600-04012-1G	SCREW FLAT 4*12	SCREW FLAT 4*12	4	
	96001	96001-06025-00	BOLT FLANGE SH 6*25	BOLT FLANGE SH 6*25	2	

F05

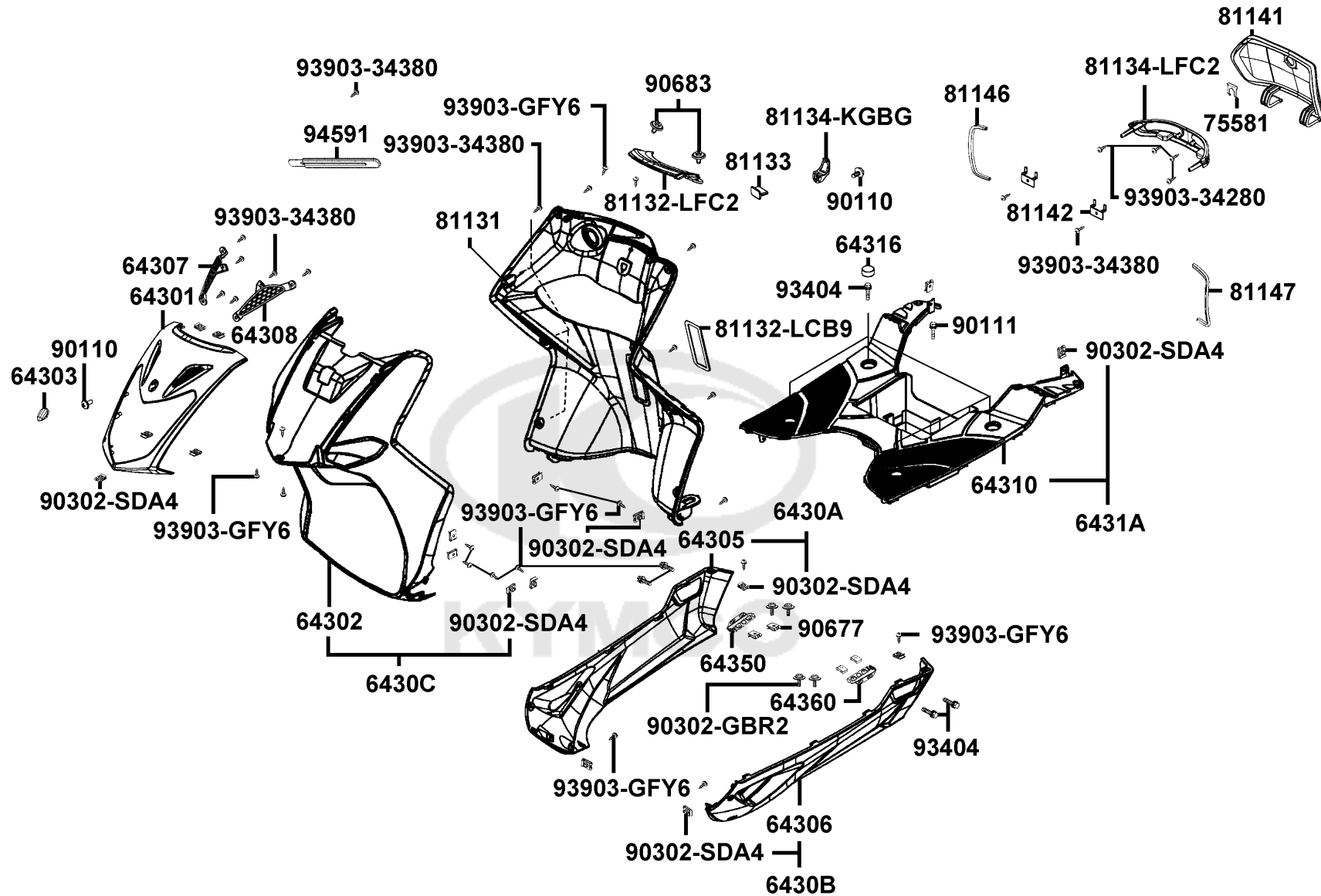
Front Cover Front Fender



Sales mark	Ref no	Part no	Description	Reg description	Regd no	F05
**	64301	64301-LFC2-E10	COVER FR	COVER FR	1	
**	64302	64302-LFC2-E10	MOLD FRONT	MOLD FRONT	1	
**	64303	64303-LFC2-E10	CAP FR COVER	CAP FR COVER	1	
**	64305	64305-LFC2-E10	SKIRT R SIDE	SKIRT R SIDE	1	
**	64306	64306-LFC2-E10	SKIRT L SIDE	SKIRT L SIDE	1	
**	64307	64307-LFC2-E10	GRILLE R FR MOLDING	GRILLE R FR MOLDING	1	
**	64308	64308-LFC2-E10	GRILLE L FR MOLDING	GRILLE L FR MOLDING	1	
**	6430A	6430A-LFC2-E10	SKIRT ASSY R SIDE	SKIRT ASSY R SIDE	1	
**	6430B	6430B-LFC2-E10	SKIRT ASSY L SIDE	SKIRT ASSY L SIDE	1	
**	6430C	6430C-LFC2-E10	MOLD ASSY FRONT	MOLD ASSY FRONT	1	
**	64310	64310-LFC2-E11	FLOOR PANEL	FLOOR PANEL	1	
**	64316	64316-LCB9-C10	PLUG FLOOR	PLUG FLOOR	4	
**	64350	64350-LFC2-E11	COVER R STEP	COVER R STEP	1	
**	64360	64360-LFC2-E11	COVER L STEP	COVER L STEP	1	
	75581	75581-6C73-C00	SET SPG LOCK KET(43°C)	SET SPG LOCK KET(43°C)	1	
**	81131	81131-LFC2-E10	LEG SHIELD	LEG SHIELD	1	
**	81132-LCB9	81132-LCB9-C10	LID LEG SHIELD	LID LEG SHIELD	1	
**	81132-LFC2	81132-LFC2-E10	CAP LEG SHIELD UP	CAP LEG SHIELD UP	1	
	81134-KGBG	81134-KGBG-C00	HOOK LUGGAGE	HOOK LUGGAGE	1	
**	81134-LFC2	81134-LFC2-E10	PLATE INNER BOX	PLATE INNER BOX	1	

F05

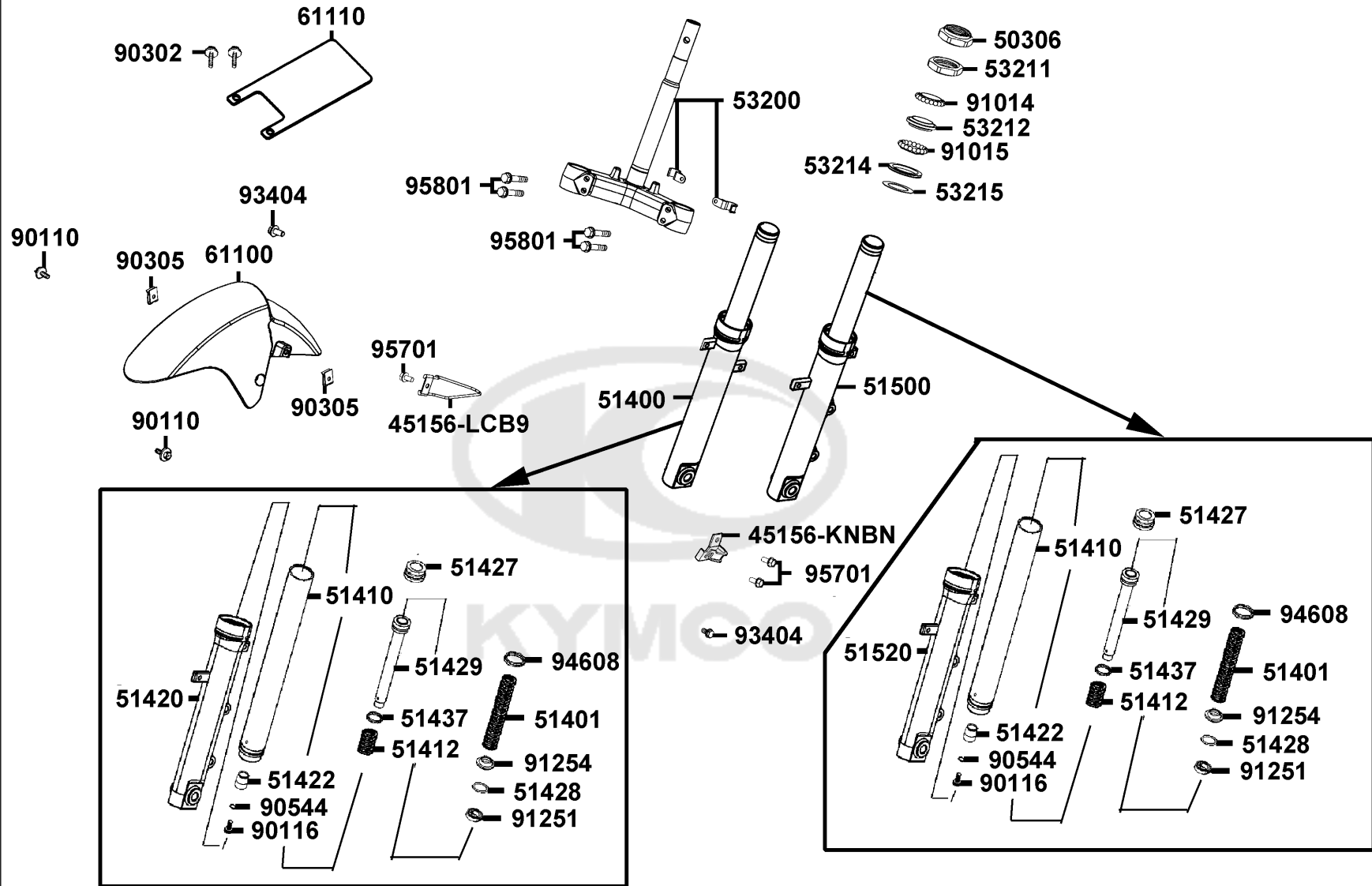
Front Cover Front Fender



Sales mark	Ref no	Part no	Description	Reg description	Regd no	F05
**	81141	81141-LFC2-E10	LID INNER BOX	LID INNER BOX	1	
	81142	81142-KFA6-C00	STAY LID INNER BOX	STAY LID INNER BOX	1	
	81146	81146-LFC2-E10	SEAL A LID INNER BOX	SEAL A LID INNER BOX	1	
	81147	81147-LFC2-E10	SEAL B LID INNER BOX	SEAL B LID INNER BOX	1	
	90110	90110-GLW0-C00	SCREW SPECIAL 6*14	SCREW SPECIAL 6*14	1	
	90111	90111-1G87-C00	BOLT FLANGE 6MM	BOLT FLANGE 6MM	1	
	90302-GBR2	90302-GBR2-C00	WASHER PLAIN	WASHER PLAIN	1	
	90302-SDA4	90302-SDA4-C00	NUT SPRING 4MM	NUT SPRING 4MM	1	
	90677	90677-GAR1-C00	NUT CLIP 5MM	NUT CLIP 5MM	1	
	90683	90683-GAR1-C00	CLIP BODY COVER	CLIP BODY COVER	1	
	93404	93404-06020-07	BOLT WASHER 6*20 (K)	BOLT WASHER 6*20 (K)	8	
	93903-34280	93903-34280	SCREW TAPPING 4*10 (K)	SCREW TAPPING 4*10 (K)	4	
	93903-34380	93903-34380	SCREW TAPPING 4*12	SCREW TAPPING 4*12(K)	1	
	93903-GFY6	93903-GFY6-C00	SCREW TAPPING 4*14	SCREW TAPPING 4*14	1	
	94591	94591-LGR5-E10	CLIP 1*100	CLIP 1*100	1	

F06

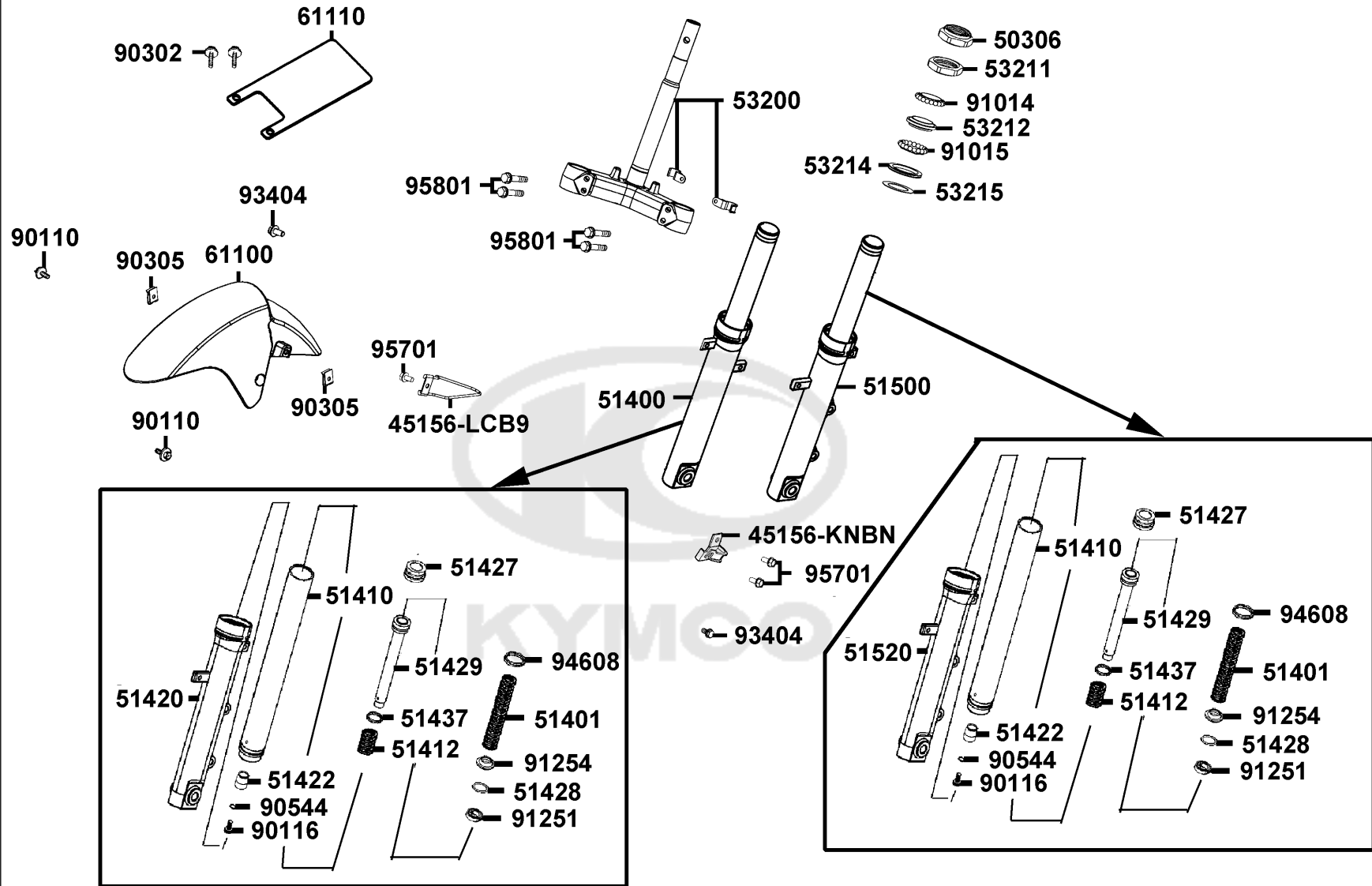
Stem Steering Front Cushion



Sales mark	Ref no	Part no	Description	Reg description	Regd no	F06
	45156-KNBN	45156-KNBN-C00	CLAMPER FR BRAKE HOSE	CLAMPER FR BRAKE HOSE	1	
	45156-LCB9	45156-LCB9-B20	CLAMPER FR SPDMT CABLE	CLAMPER FR SPDMT CABLE	1	
	50306	50306-1F96-C00	NUT STRG STEM LOCK	NUT STRG STEM LOCK	1	
	51400	51400-LFC3-E10	FORK ASSY R FR	FORK ASSY R FR	1	
**	51400	51400-LFC3-E10	FORK ASSY R FR	FORK ASSY R FR	1	
	51401	51401-LFC3-E10	SPRING	SPRING	1	
	51410	51410-LEJ2-E10	FORK PIPE COMP	FORK PIPE COMP	1	
	51412	51412-LEJ2-E10	REBOUND SPRING	REBOUND SPRING	1	
	51422	51422-LEJ2-E10	OIL LOCK PIECE	OIL LOCK PIECE	1	
	51427	51427-LEJ2-E10	FORK BOLT	FORK BOLT	1	
	51428	51428-LEJ2-E10	OIL SEAL STOPPER RING	OIL SEAL STOPPER RING	1	
	51429	51429-LFC3-E10	PIPE SEAT	PIPE SEAT	1	
	51437	51437-LEJ2-E10	PISTON RING	PISTON RING	1	
**	51500	51500-LFC3-E10	FORK ASSY L FR	FORK ASSY L FR	1	
	51520	51520-LEJ2-E10	BOTTOM CASE LH	BOTTOM CASE LH	1	
	53200	53200-LFC2-E10	STEM ASSY STRG	STEM ASSY STRG	1	
	53211	53211-GFY6-C00	RACE STRG. CONE TOP	RACE STRG TOP CONE	1	
	53212	53212-2L50-C00	RACE STRG. BOTTOM CONE	RACE (STRG BOTTOM) CONE	1	
	53214	53214-2L50-C00	DUST SEAL STRG HEAD	DUST SEAL STRG HEAD	1	
	53215	53215-2L50-C00	WASHER STRG HDL DUST-SEAL	WASHER STRG HDL DUST-SEAL	1	

F06

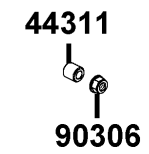
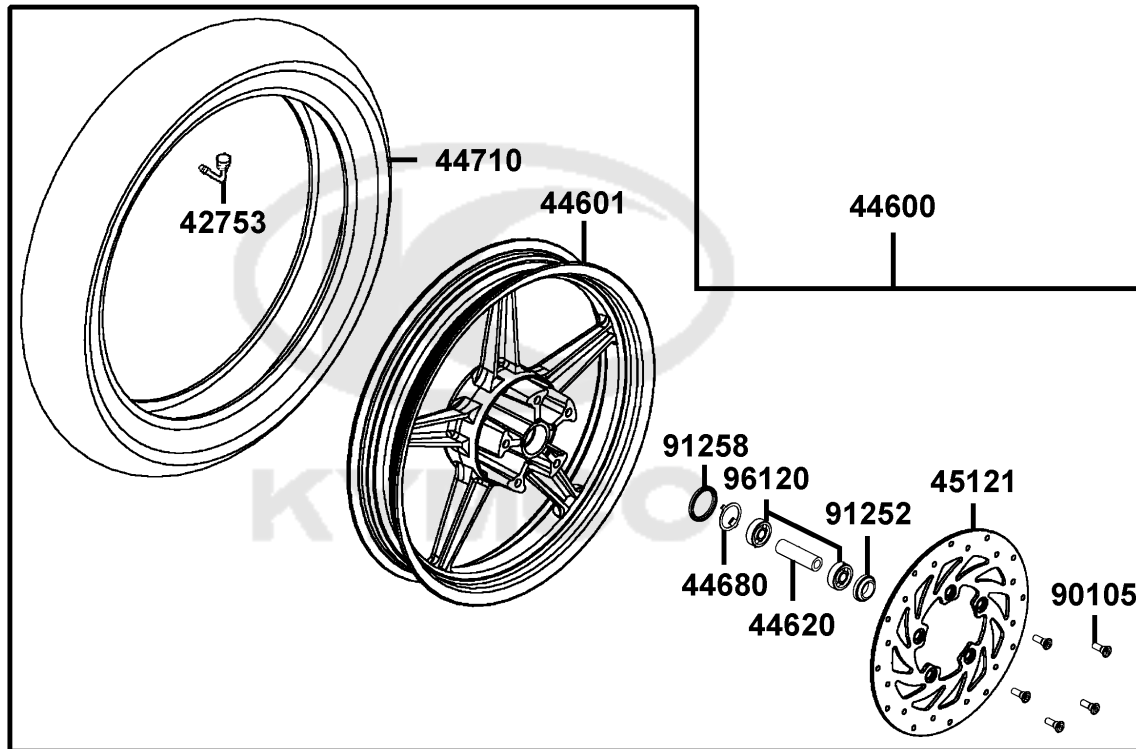
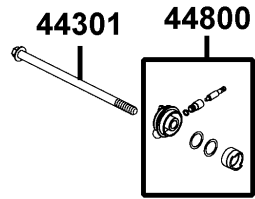
Stem Steering Front Cushion



Sales mark	Ref no	Part no	Description	Reg description	Regd no	F06
**	61100	61100-LFC2-E10	FENDER FR	FENDER FR	1	
	61110	61110-LFC2-E10	PLATE,INNER FENDER SPLASH GUARD	PLATE,INNER FENDER SPLASH GUARD	1	
	90110	90110-KEB7-C00	SCREW SPECIAL 6*14	SCREW SPECIAL 6*14	1	
	90116	90116-LEJ2-E10	?? BOLT	?? BOLT	1	
	90302	90302-GFY6-C10	BOLT-WASH 5*16	BOLT-WASH 5*16	1	
	90305	90305-GHK8-C00	NUT CLIP 6MM	NUT CLIP 6MM	1	
	90544	90544-LEJ2-E10	PACKINGCUB	PACKINGCUB	1	
	91014	91014-LLJ3-C00	CAGE STRG TOPP	CAGE STRG TOPP	1	
	91015	91015-LLJ3-C00	CAGE STRG BOT	CAGE STRG BOT	1	
	91251	91251-LEJ2-E10	12251-gfy6-90a	12251-gfy6-90a	1	
	91254	91254-LEJ2-E10	DUST SEAL	DUST SEAL	1	
	93404	93404-06025-07	BOLT WASHER 6*25 (K)	BOLT WASHER 6*25 (K)	2	
	94608	94608-LEJ2-E10	O-RING B	O-RING B	1	
	95701	95701-06012-08	BOLT FLANGE 6*12	BOLT FLANGE 6*12	3	
	95801	95801-08040-08	BOLT FLANGE 8*40	BOLT FLANGE 8*40	4	

F07

Front Wheel

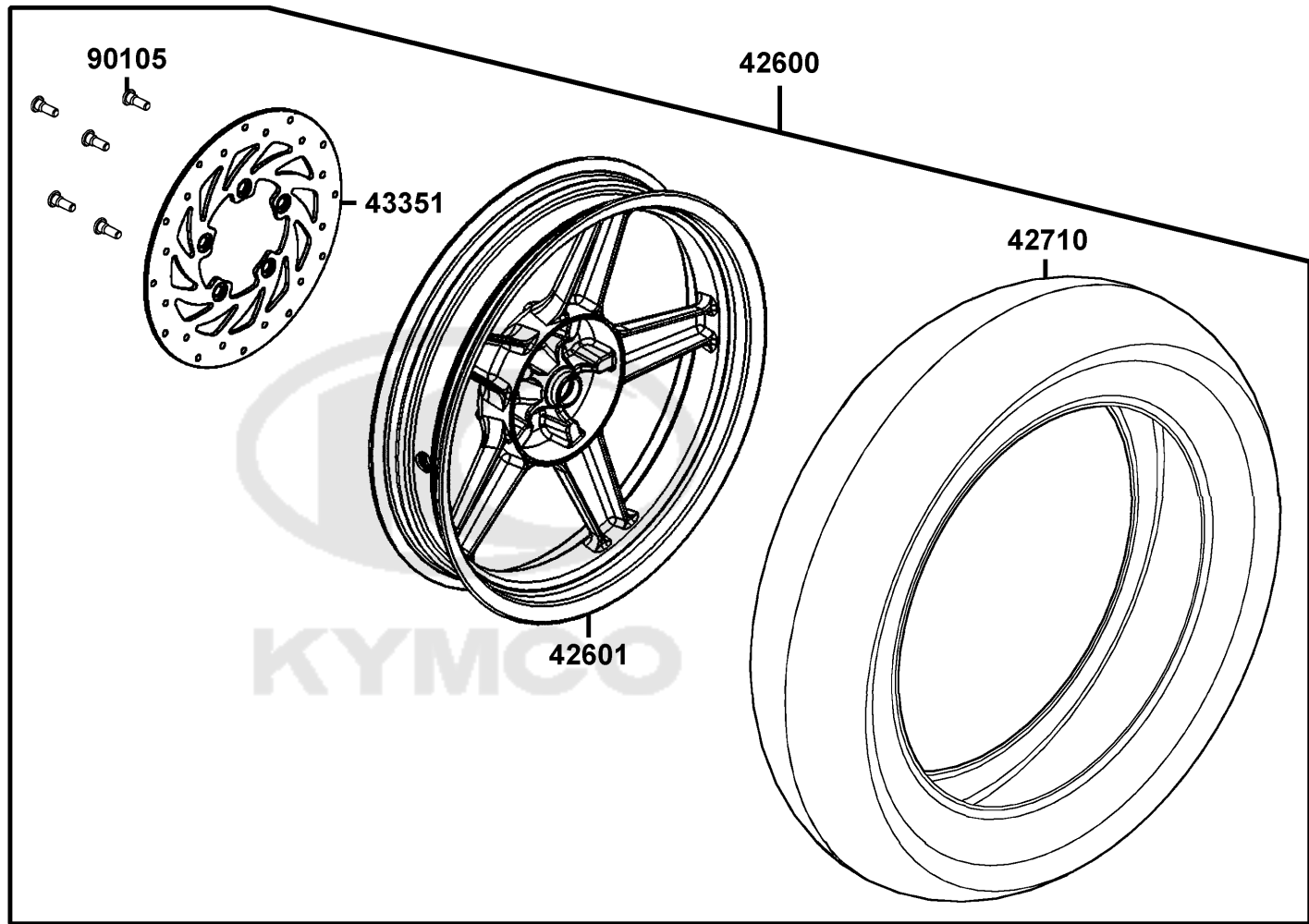


Sales mark	Ref no	Part no	Description	Reg description	Regd no	F07
	42753	42753-0A01-C00	VALVE (TR 412) & CAP (C)	VALVE (TR 412) & CAP (C)	1	
	44301	44301-LEJ2-E10	AXLE FR WHEEL	AXLE FR WHEEL	1	
	44311	44311-LFC2-E10	COLLAR FR WHEEL SIDE	COLLAR FR WHEEL SIDE	1	
**	44600	44600-LFC3-E81	WHEEL ASSY FR	WHEEL ASSY FR	1	
**	44601	44601-LFC2-E10	WHEEL CAST FR	WHEEL CAST FR	1	
	44620	44620-KFLF-C00	COLLAR FR DIST	COLLAR FR DIST	1	
	44680	44680-4L10-C00	RETAINER GEAR BOX	RETAINER GEAR BOX	1	
	44710	44710-LFC3-E11	TIRE ASSY FR	TIRE ASSY FR	1	
	44800	44800-LKD1-E10	GEAR BOX ASSY SPDMT	GEAR BOX ASSY SPDMT	1	
	45121	45121-LFC2-E80	DISK,FR BRAKE LH	DISK,FR BRAKE LH	1	
	90105	90105-KCR3-001	BOLT FR DISK 8*24	BOLT FR DISK 8*24	5	
	90306	90306-KLF0-C00	NUT FLANGE 12MM	NUT FLANGE 12MM	1	
	91252	91252-0L30-004	OIL SEAL WHEEL 23*37*7	OIL SEAL WHEEL 23*37*7	1	
	91258	91258-4L10-007	DUST SEAL 40*50*5	DUST SEAL 40*50*5	1	
	96120	96120-63010-10	BEARING BALL RADIAL 6301	BEARING BALL RADIAL 6301	2	

F08

Rear Wheel

90305
90501

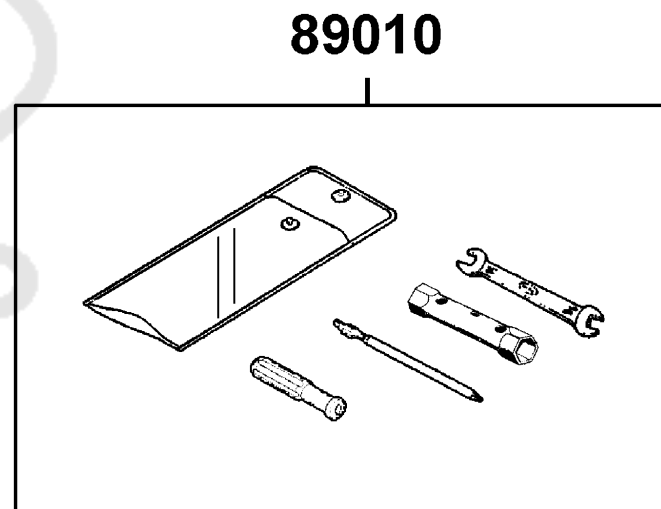
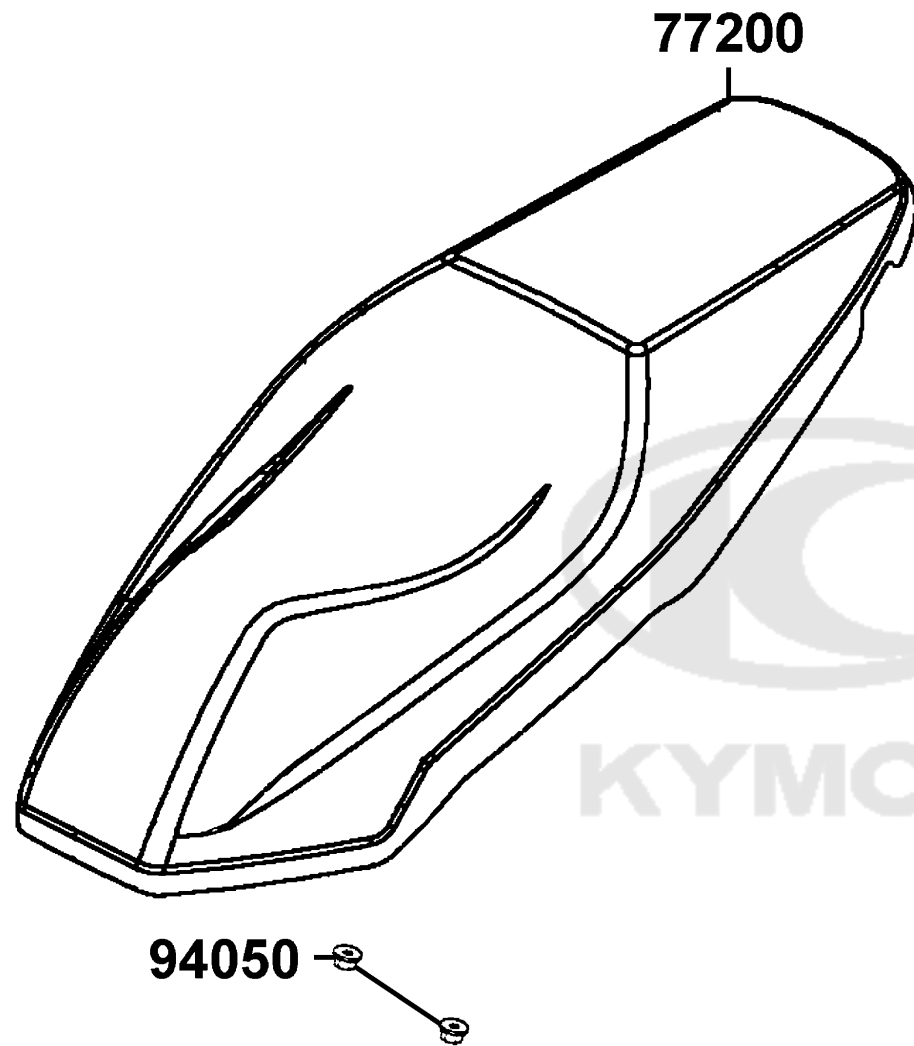


Sales mark	Ref no	Part no	Description	Reg description	Regd no	F08
**	42600	42600-LFC3-E81	WHEEL ASSY RR	WHEEL ASSY RR	1	
**	42601	42601-LFC3-E10	WHEEL COMP RR CAST	WHEEL COMP RR CAST	1	
	42710	42710-LFC2-E11	TIRE ASSY RR	TIRE ASSY RR	1	
	43351	43351-LFC3-E80	DISK RR BRK	DISK RR BRAKE	1	
	90105	90105-KCR3-001	BOLT FR DISK 8*24	BOLT FR DISK 8*24	5	
	90305	90305-KNBN-C00	NUT U 16MM(C)	NUT U 16MM(C)	1	
	90501	90501-KNBN-C00	WASHER 16MM	WASHER 16MM	1	



F09

Seat



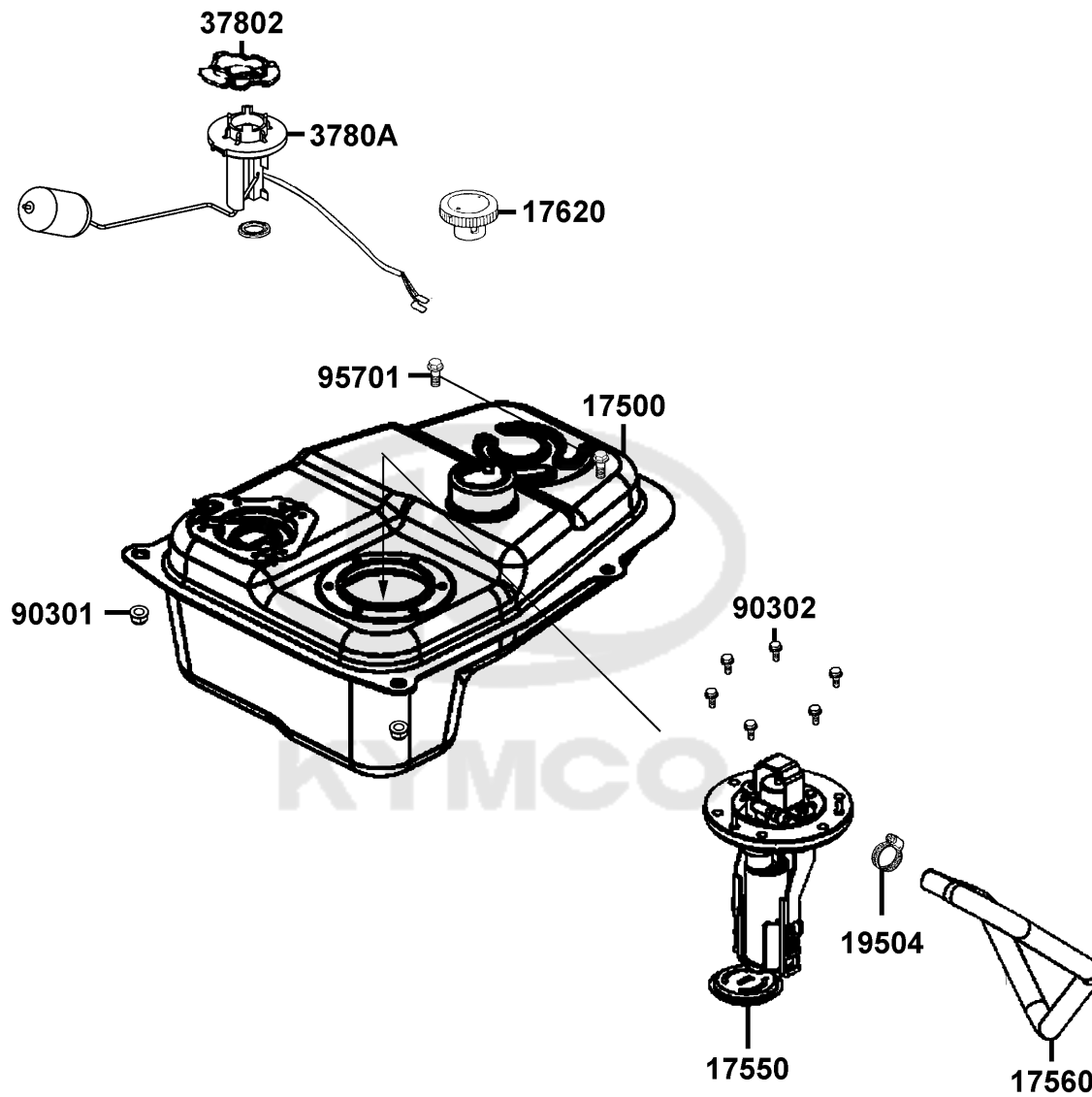
Sales mark	Ref no	Part no	Description	Reg description	Regd no	F09
------------	--------	---------	-------------	-----------------	---------	------------

**	77200	77200-LFC3-E10	SEAT ASSY	SEAT ASSY	1	
	89010	89010-KGBG-C00	TOOL SET	TOOL SET	1	
	94050	94050-06080	NUT FLANGE 6MM	NUT FLANGE 6MM	2	

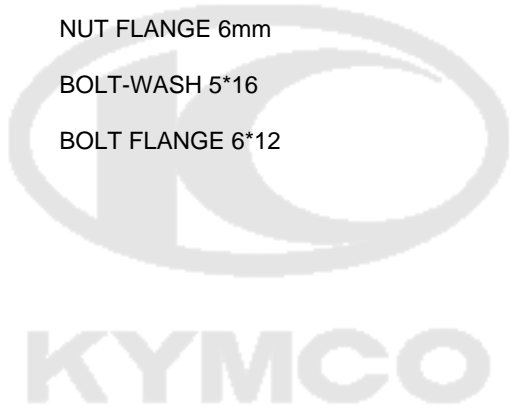


F10

Fuel Tank

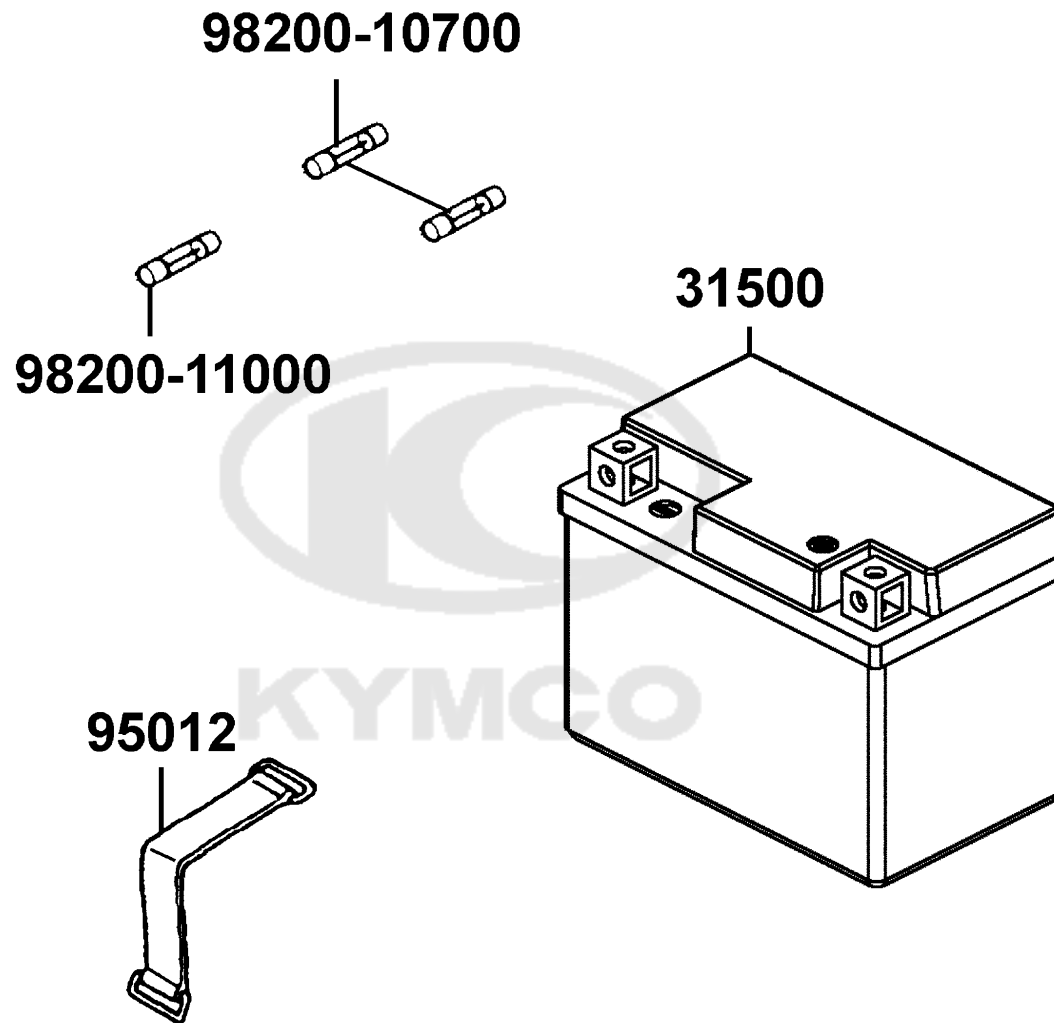


Sales mark	Ref no	Part no	Description	Reg description	Regd no	F10
17500		17500-LKD2-E10	TANK COMP FUEL	TANK COMP FUEL	1	
17550		17550-LKD2-E10	PUMP ASSY FUEL /D106	PUMP ASSY FUEL /D106	1	
17560		17560-LKD2-E10	TUBE PUMP INJECTOR	TUBE PUMP INJECTOR	1	
17620		17620-LBA8-C10	CAP FUEL FILLER	CAP FUEL FILLER	1	
19504		19504-LBA2-C00	CLAMP D16.8	CLAMP D16.8	1	
37802		37802-GGA7-C00	RET FUEL UNIT	RET FUEL UNIT	1	
3780A		3780A-LKD2-E10	FUEL UNIT ASSY	FUEL UNIT ASSY	1	
90301		90301-LEJ2-E10	NUT FLANGE 6mm	NUT FLANGE 6mm	2	
90302		90302-GFY6-C10	BOLT-WASH 5*16	BOLT-WASH 5*16	1	
95701		95701-06012-08	BOLT FLANGE 6*12	BOLT FLANGE 6*12	2	



F11

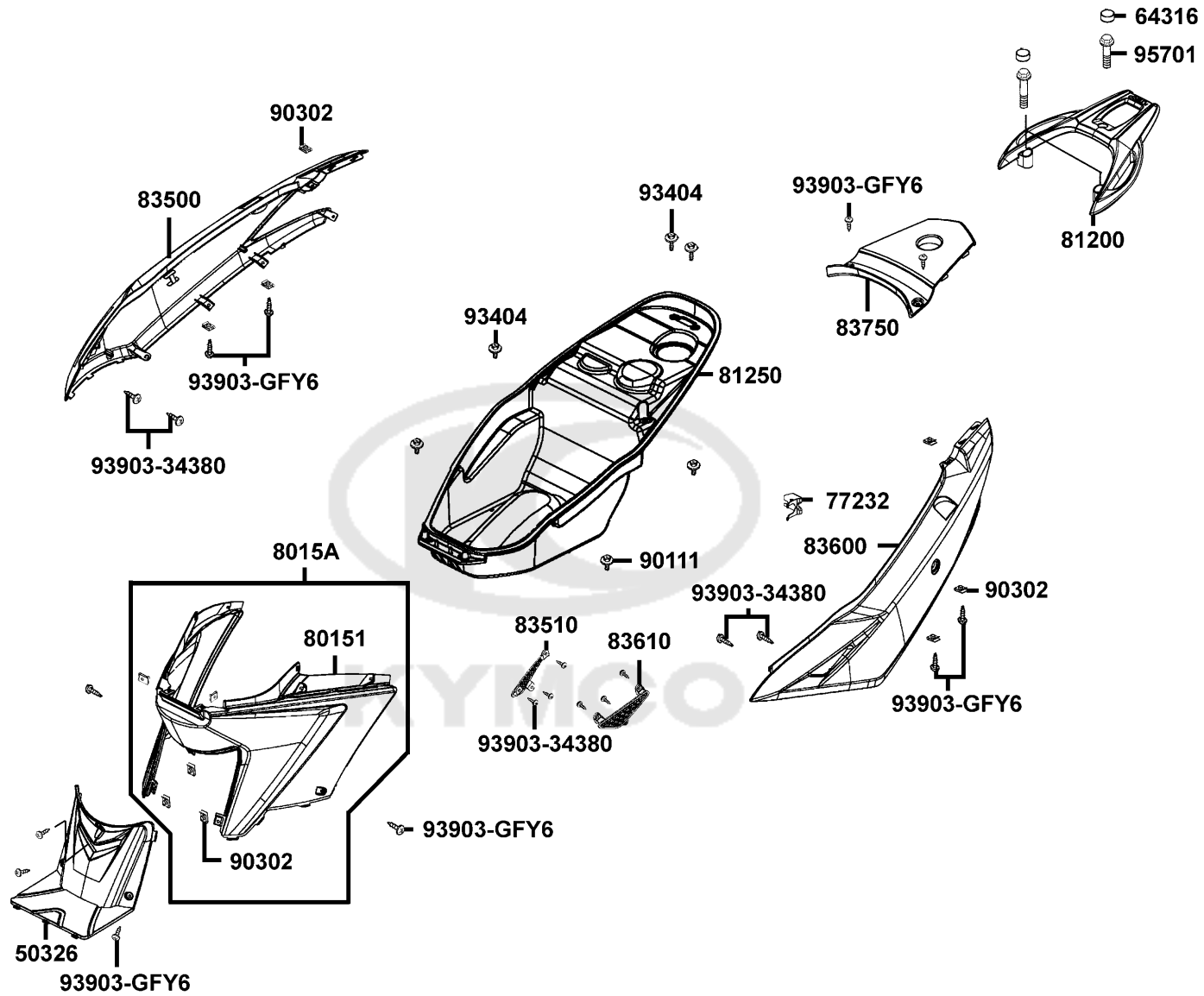
Battery



Sales mark	Ref no	Part no	Description	Reg description	Regd no	F11
------------	--------	---------	-------------	-----------------	---------	------------

31500	31500-KFAF-C00	31500-KFAF-C00	BATTERY YTX9-BS	BATTERY YTX9-BS	1	
95012	95012-LEJ2-E10	95012-LEJ2-E10	BAND BATTERY	BAND BATTERY	1	
98200-10700	98200-10700	98200-10700	FUSE A7	FUSE A7	2	
98200-11000	98200-11000	98200-11000	FUSE A10	FUSE A10	1	

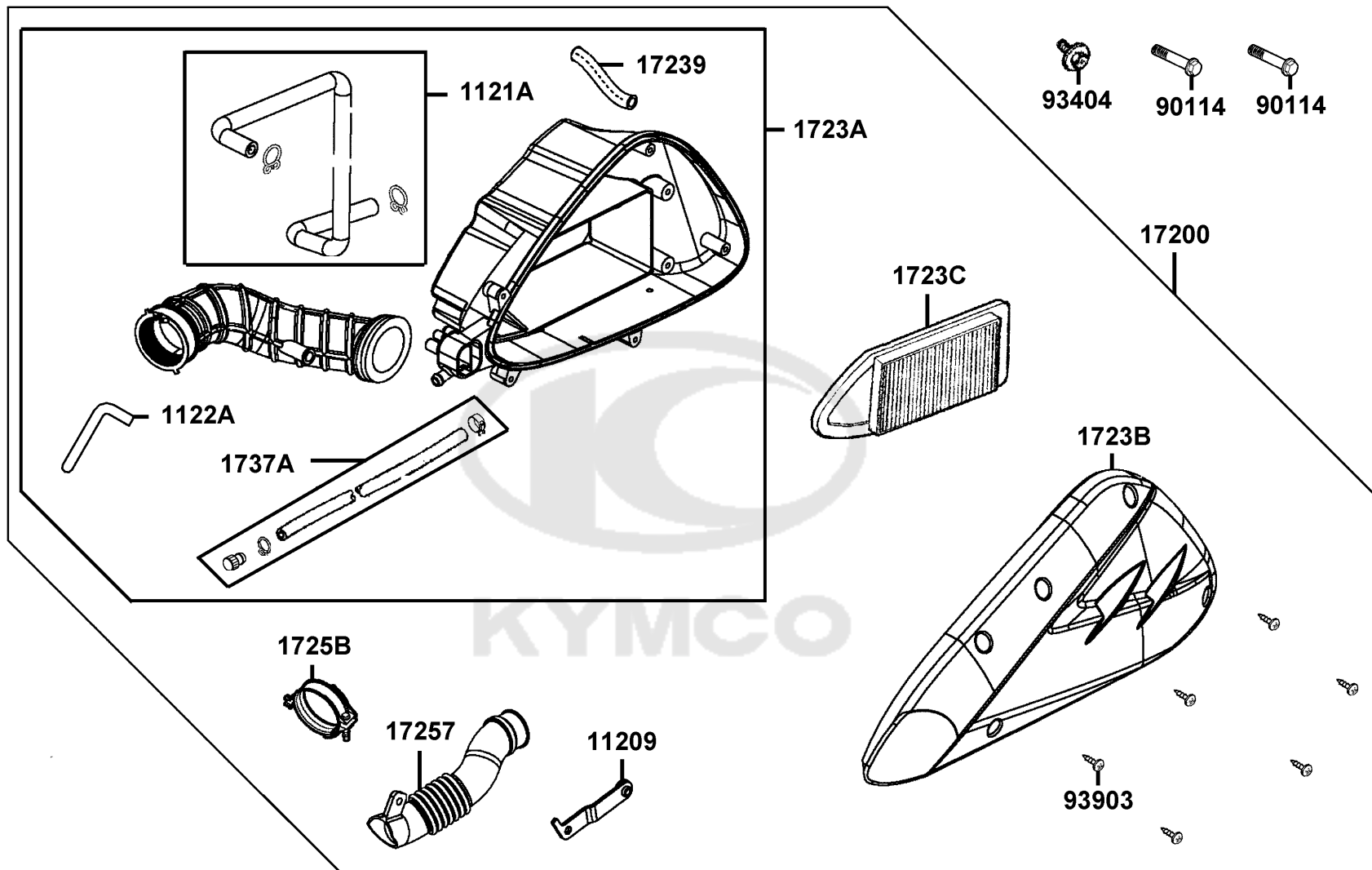




Sales mark	Ref no	Part no	Description	Reg description	Regd no	F12
**	50326	50326-LFC2-E10	COVER BATTERY	COVER BATTERY	1	
**	64316	64316-LCB9-C10	PLUG FLOOR	PLUG FLOOR	3	
	77232	77232-KCAC-C00	SET SPG SEAT LOCK	SET SPG SEAT LOCK	1	
**	80151	80151-LFC2-E10	COVER CENTER	COVER CENTER	1	
**	8015A	8015A-LFC2-E10	"COVER ASSY.,CENTER"	"COVER ASSY.,CENTER"	1	
**	81200	81200-LFC2-E10	CARRIER RR	CARRIER RR	1	
**	81250	81250-LKD2-E10	BOX LUGGAGE	BOX LUGGAGE	1	
**	83500	83500-LFC2-E10	COVER R BODY	COVER R BODY	1	
**	83510	83510-LFC2-E10	GRILL R SIDE	GRILL R SIDE	1	
**	83600	83600-LFC2-E10	COVER L BODY	COVER L BODY	1	
**	83610	83610-LFC2-E10	GRILL L SIDE	GRILL L SIDE	1	
**	83750	83750-LFC2-E10	COVER RR CENTER	COVER RR CENTER	1	
	90111	90111-1G87-C00	BOLT FLANGE 6MM	BOLT FLANGE 6MM	1	
	90302	90302-SDA4-C00	NUT SPRING 4MM	NUT SPRING 4MM	1	
	93404	93404-06012-07	BOLT WASH 6*12	BOLT WASH 6*12	4	
	93903-34380	93903-34380	SCREW TAPPING 4*12	SCREW TAPPING 4*12(K)	10	
	93903-GFY6	93903-GFY6-C00	SCREW TAPPING 4*14	SCREW TAPPING 4*14	1	
	95701	95701-08040-08	BOLT FLANGE 8*40	BOLT FLANGE 8*40 (C)	3	

F13

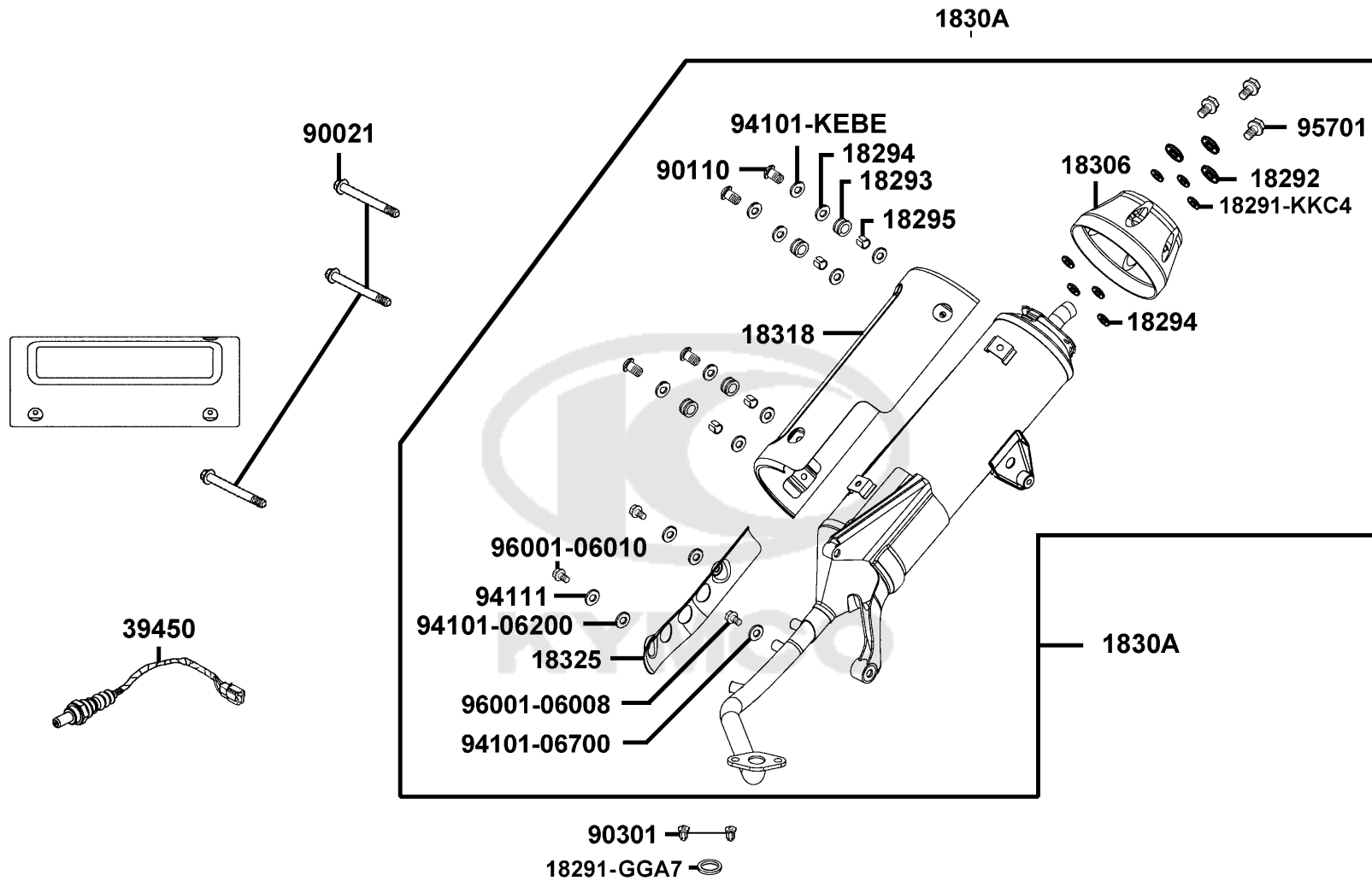
Air Cleaner



Sales mark	Ref no	Part no	Description	Reg description	Regd no	F13
11209		11209-LCD3-E00	STAY B RR FENDER	STAY B RR FENDER	1	
1121A		1121A-LGR5-E10	TUBE COMP BREATHER	TUBE COMP BREATHER	1	
1122A		1122A-KHB4-900	TUBE BREATHER MISSION	TUBE BREATHER MISSION	1	
17200		17200-LKD2-E10	AIR/C ASSY	AIR/C ASSY	1	
17239		17239-KHB4-C00	TUBE AIR/C BLOW BY	TUBE AIR/C BLOW BY	1	
1723A		1723A-LKD2-E10	CASE ASSY AIR/C	CASE ASSY AIR/C	1	
1723B		1723B-LFC4-E10	COVER COMP AIR/C	COVER COMP AIR/C	1	
1723C		1723C-LEJ3-E10	ELEMENT ASSY AIR/C	ELEMENT ASSY AIR/C	1	
17257		17257-LFC4-E10	DUCT AIR/C COVER	DUCT AIR/C COVER	1	
1725B		1725B-KGBG-900	BAND ASSY AIR/C CONN TUBE	BAND ASSY AIR/C CONN TUBE	1	
1737A		1737A-LCD3-E00	V TUBE ASSY	V TUBE ASSY	1	
90114		90114-GDM4-C00	BOLT M6*28	BOLT M6*28	1	
93404		93404-06012-07	BOLT WASH 6*12	BOLT WASH 6*12	1	
93903		93903-25480	SCREW TAPPING 5*20 (K)	SCREW TAPPING 5*20 (K)	6	

F14

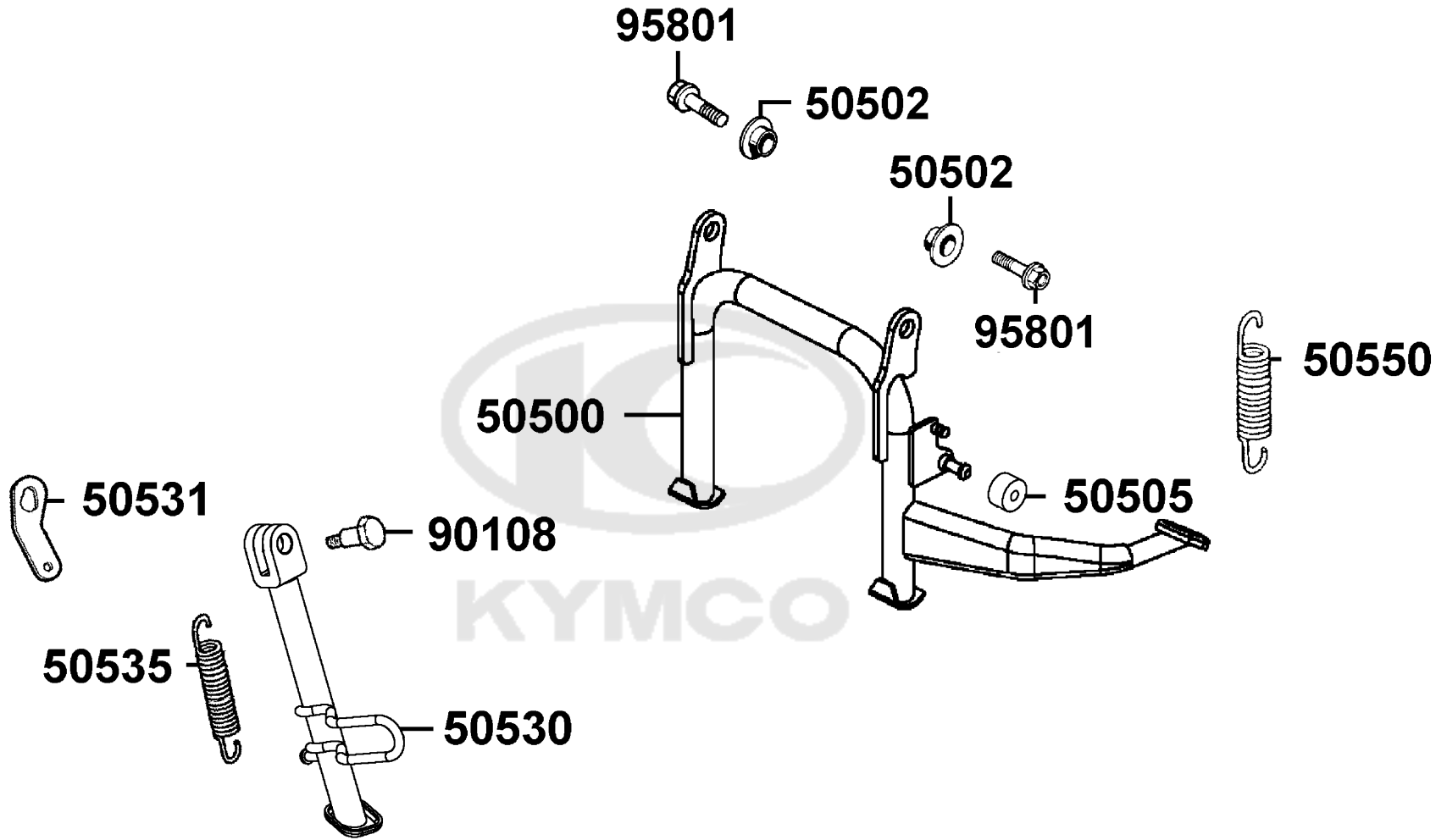
Exhaust Muffler



Sales mark	Ref no	Part no	Description	Reg description	Regd no	F14
#	18291-GGA7	18291-GGA7-C01	GASKET EXH PIPE	GASKET EXH PIPE	1	
	18291-KKC4	18291-KKC4-C00	COLLAR	COLLAR	1	
	18292	18292-KEBE-C00	PACKING PROTECTOR	PACKING PROTECTOR	1	
	18293	18293-KECE-C00	RUBBER A PROTR	RUBBER A PROTR	1	
#	18294	18294-PUA3-B50	PACKING PTOTECTOR	PACKING PTOTECTOR	1	
	18295	18295-KECE-900	COLLAR 6MM	COLLAR 6MM	4	
	18306	18306-LEJ2-E10	TAIL CAP MUFFLER	TAIL CAP MUFFLER	1	
	39450	39450-LEA6-800	O2 SENSOR	O2 SENSOR	1	
	90021	90021-GFY6-C10	BOLT WASHER COMP	BOLT WASHER COMP	1	
	90110	90110-LCD4-E00	SCREW SPECIAL 6*16	SCREW SPECIAL 6*16	4	
	90301	90301-GFY6-C00	NUT (HEX) CAP 8MM	NUT (HEX) CAP 8MM	1	
	94101-06200	94101-06200	WASHER PLAIN 6MM	WASHER PLAIN 6MM	2	
	94101-06700	94101-06700	WASHER PLAIN 6MM	WASHER PLAIN 6MM	1	
	94101-KEBE	94101-KEBE-C00	WASHER PLAIN 6MM	WASHER PLAIN 6MM	1	
	94111	94111-06800	WASHER SPRING 6MM	WASHER SPRING 6MM	2	
	95701	95701-06025-07	BOLT FLANGE 6*25 (K) **06 C.P.N.	BOLT FLANGE 6*25 (K) **06 C.P.N.	3	
	96001-06008	96001-06008-07	BOLT FLANGE SH 6*8	BOLT FLANGE SH 6*8	1	
	96001-06010	96001-06010-02	BOLT FLANGE SH 6*10	BOLT FLANGE SH 6*10	2	

F15

Stand Kick Starter Arm

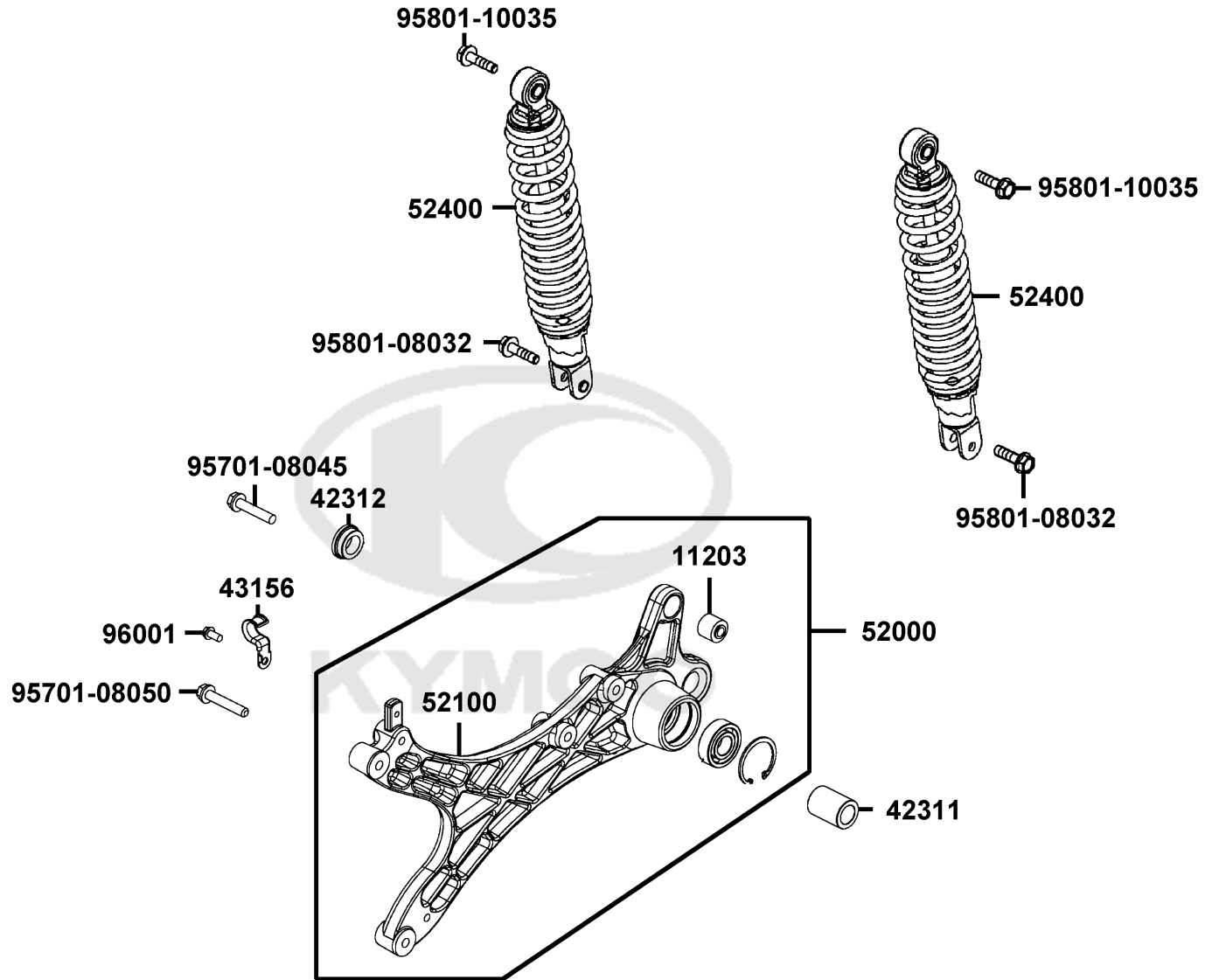


Sales mark	Ref no	Part no	Description	Reg description	Regd no	F15
50500		50500-LFC4-E10	STAND COMP MAIN	STAND COMP MAIN	1	
50502		50502-LDF7-C00	COLLAR,MAIN STAND	COLLAR,MAIN STAND	1	
50505		50505-LAD9-C00	STOPPER RUBBER	STOPPER RUBBER	1	
50530		50530-LFC2-E10	BAR SIDE STAND	BAR SIDE STAND	1	
50531		50531-KEB7-C00	PLATE SPRING STOPPER	PLATE SPRING STOPPER	1	
50535		50535-KEB7-W10	SPRING COMP SIDE STAND	SPRING COMP SIDE STAND	1	
50550		50550-KEB7-C00	SPG MAIN STAND COMP	SPG MAIN STAND COMP	1	
90108		90108-KFA6-E00	SCREW SIDE STAND	SCREW SIDE STAND	1	
95801		95801-10025-08	BOLT FLANGE 10*25	BOLT FLANGE 10*25	2	



F16

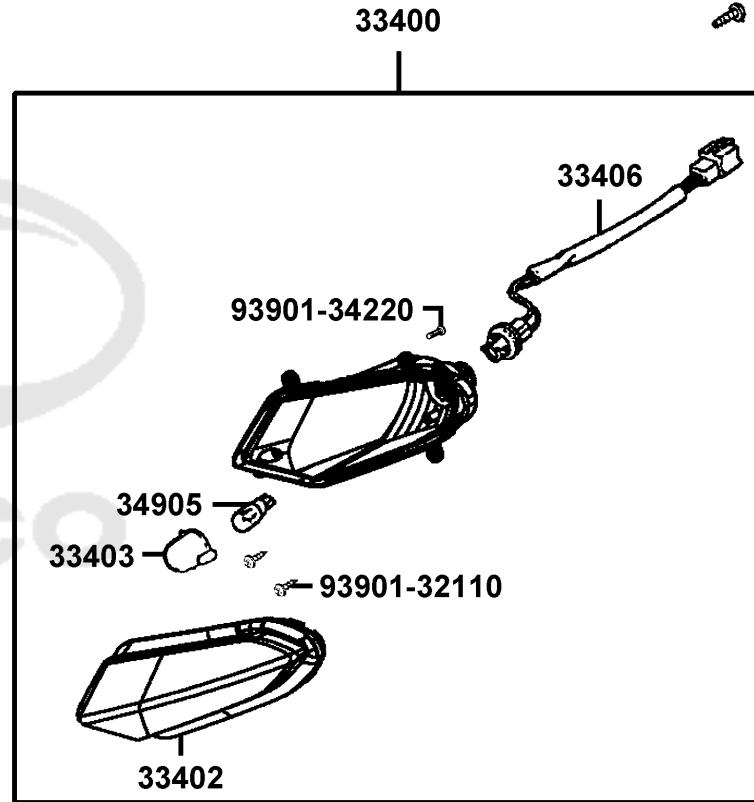
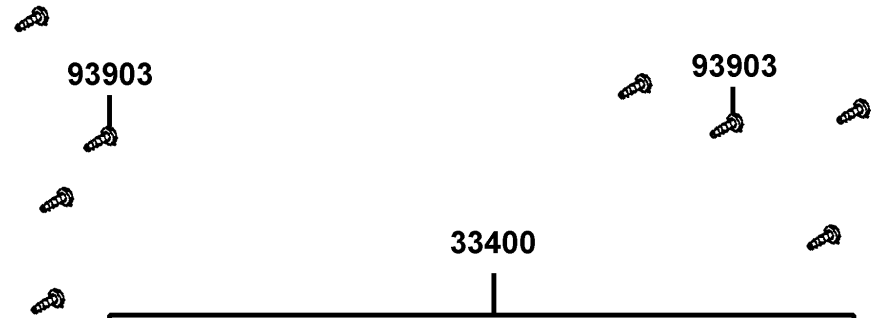
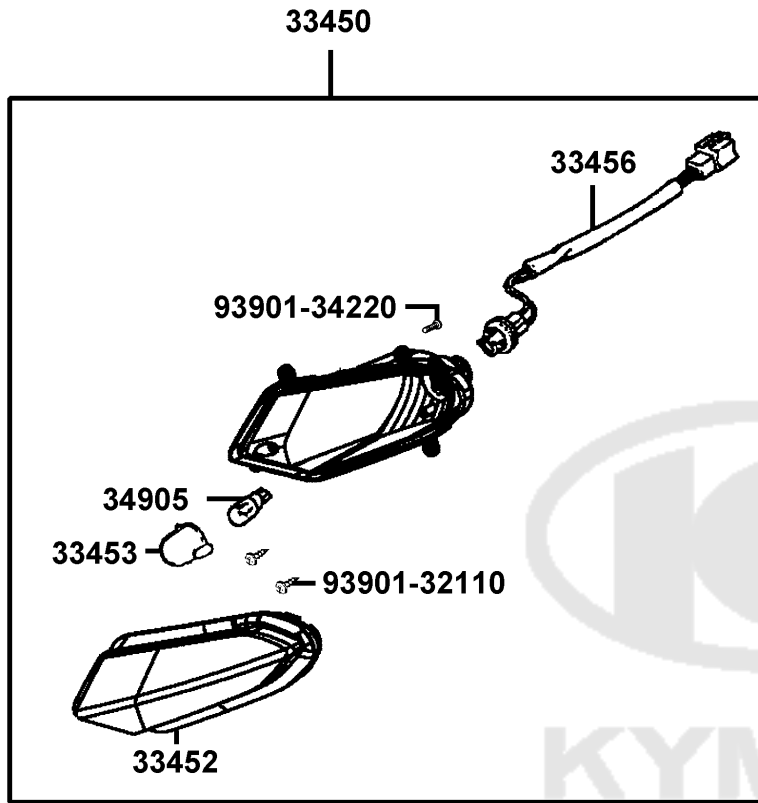
Rear Cushion



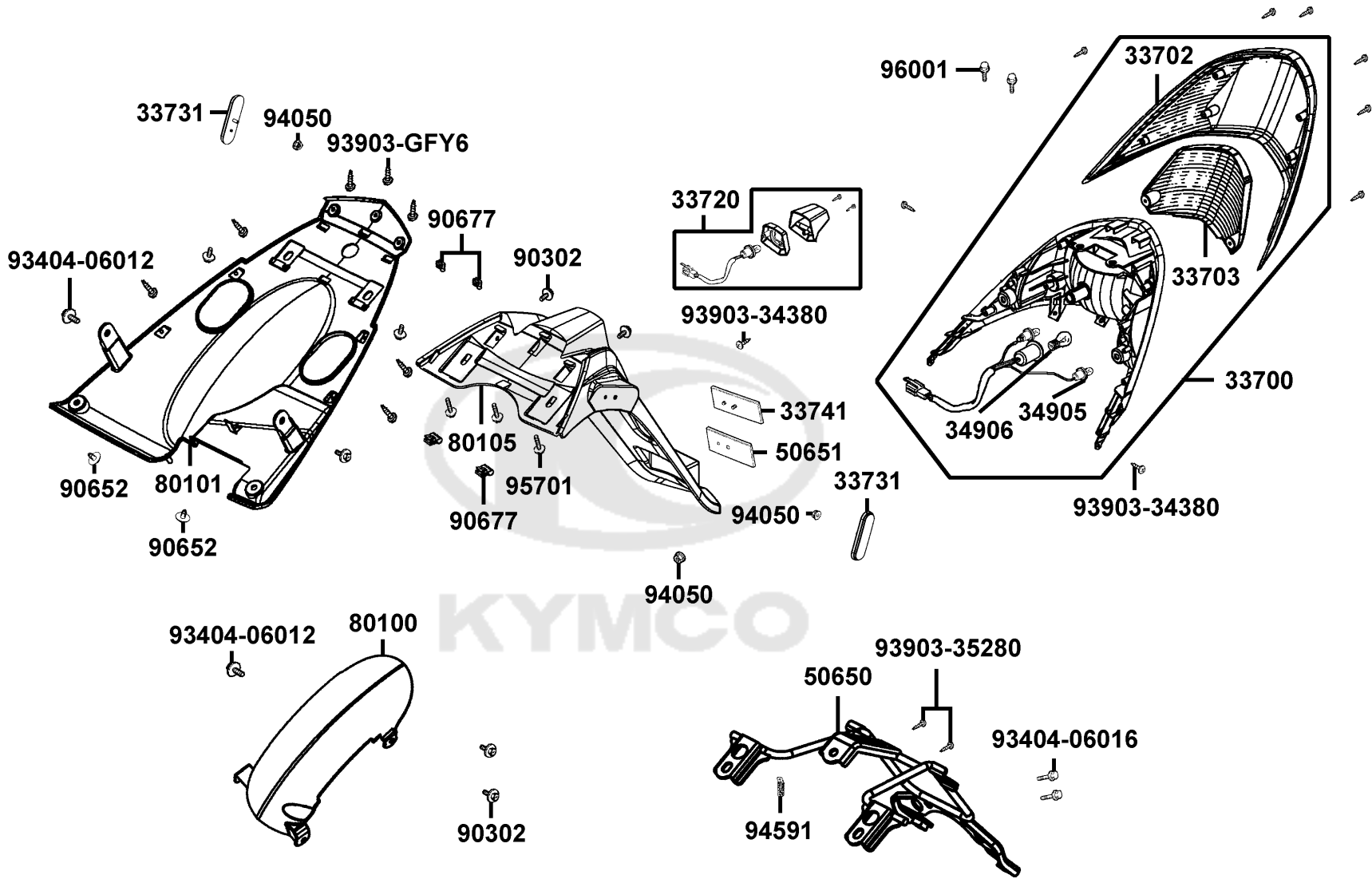
Sales mark	Ref no	Part no	Description	Reg description	Regd no	F16
	11203	11203-GGC7-W10	UNDER RUBBER BUSH REAR CUSHION	UNDER RUBBER BUSH REAR CUSHION	1	
	42311	42311-KHB4-C00	COLLAR RR AXLE A	COLLAR RR AXLE A	1	
	42312	42312-LEJ2-E10	COLLAR RR AXLE SIDE	COLLAR RR AXLE SIDE	1	
	43156	43156-LFC3-E10	CLAMPER HOSE RR	CLAMPER HOSE RR	1	
	52000	52000-LFC3-E10	FORK ASSY RR	FORK ASSY RR	1	
	52100	52100-LFC3-E10	FORK COMP RR	FORK COMP RR	1	
**	52400	52400-LFC4-E10	CUSHION ASSSY RR	CUSHION ASSSY RR	2	
	95701-08045	95701-08045-07	BOLT FLANGE 8*45 (K)	BOLT FLANGE 8*45 (K)	1	
	95701-08050	95701-08050-07	BOLT FLANGE 8*50 (K)	BOLT FLANGE 8*50 (K)	1	
	95801-08032	95801-08032-08	BOLT FLANGE 8*32(C)	BOLT FLANGE 8*32(C)	2	
	95801-10035	95801-10035-08	BOLT FLANGE 10*35	BOLT FLANGE 10*35	2	
	96001	96001-06012-00	BOLT FLANGE SH 6*12	BOLT FLANGE SH 6*12	1	

F17

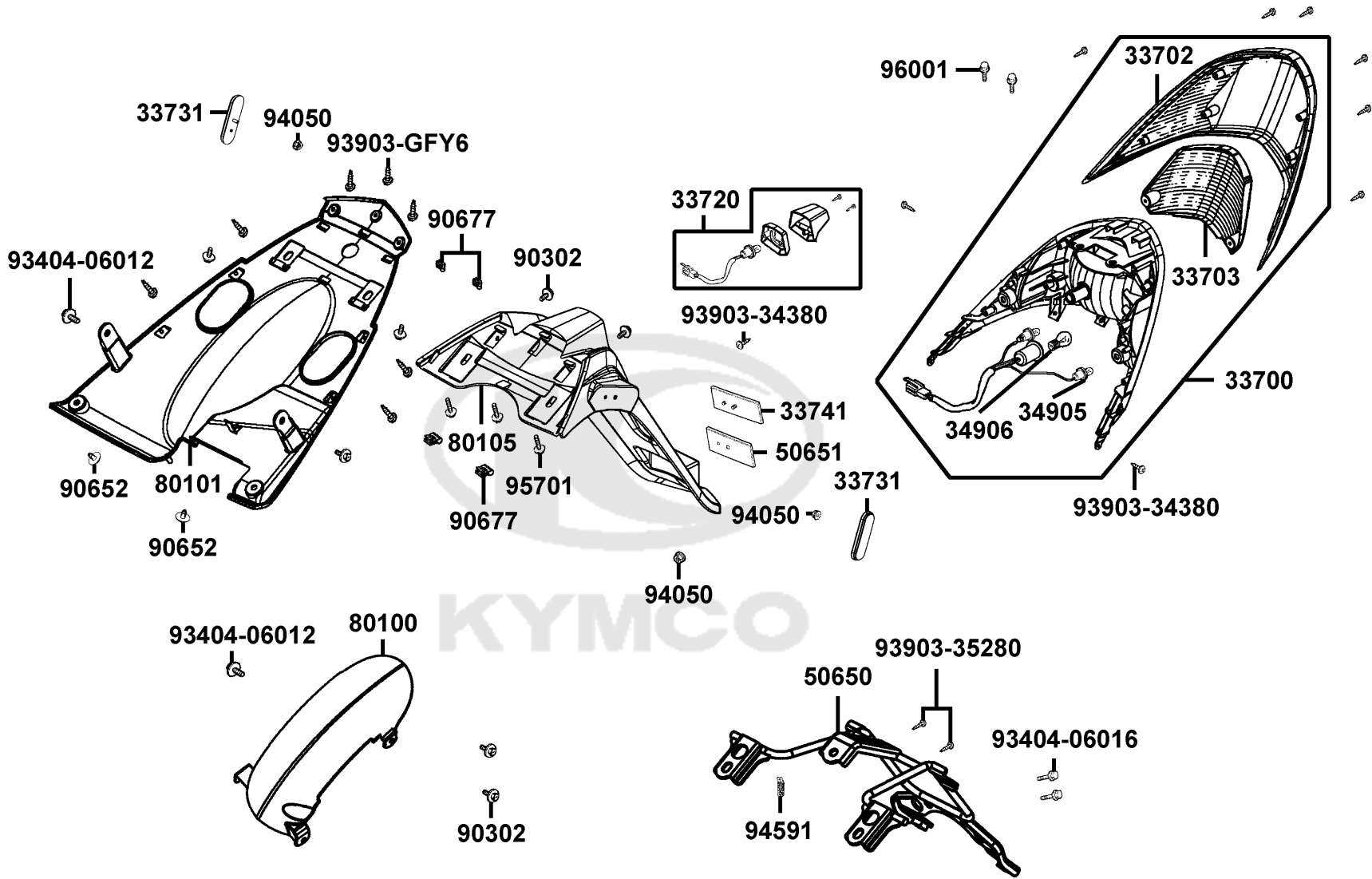
Front Winker



Sales mark	Ref no	Part no	Description	Reg description	Regd no	F17
33400		33400-LFC2-E10	WINKER ASSY RH FR	WINKER ASSY RH FR	1	
33402		33402-LFC2-E10	LENS R FR WINKER	LENS R FR WINKER	1	
33403		33403-LFC2-E10	"INNER LENS,R FR. WINKER"	"INNER LENS,R FR. WINKER"	1	
33406		33406-LFC2-E10	SOCKET COMP R FR WINKER	SOCKET COMP R FR WINKER	1	
33450		33450-LFC2-E10	WINKER ASSY LH FR	WINKER ASSY LH FR	1	
33452		33452-LFC2-E10	LENS L FR WINKER	LENS L FR WINKER	1	
33453		33453-LFC2-E10	INNER LENS L FR WINKER	INNER LENS L FR WINKER	1	
33456		33456-LFC2-E10	SOCKET COMP L FR WINKER	SOCKET COMP L FR WINKER	1	
34905		34905-LBA8-E80	BULB WINKER	BULB WINKER	2	
93901-32110		93901-32110	SCREW TAPPING 3*8	SCREW TAPPING 3*8	4	
93901-34220		93901-34220	SCREW TAPPING 4*10	SCREW TAPPING 4*10	2	
93903		93903-34380	SCREW TAPPING 4*12	SCREW TAPPING 4*12(K)	8	



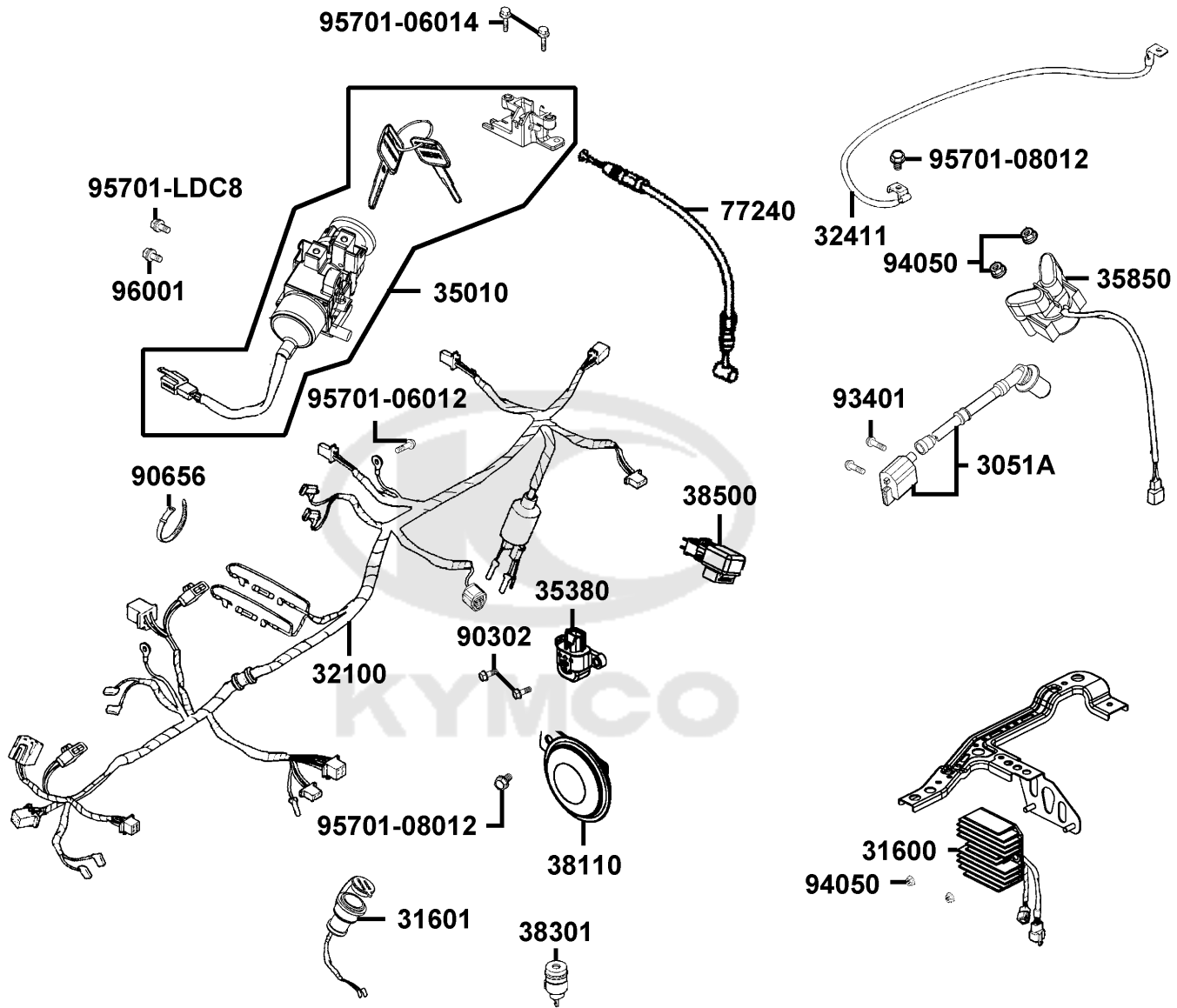
Sales mark	Ref no	Part no	Description	Reg description	Regd no	F18
	33700	33700-LFC2-E10	LIGHT ASSY RR COMB	LIGHT ASSY RR COMB	1	
	33702	33702-LFC2-E10	LENS TAIL LIGHT	LENS TAIL LIGHT	1	
	33703	33703-LFC2-E10	LENS TAIL LIGHTRED	LENS TAIL LIGHTRED	1	
	33720	33720-LEJ2-E10	LIGHT ASSY LICENSE	LIGHT ASSY LICENSE	1	
	33731	33731-KGB5-C00	REFLEX REFLECTOR,SIDE	REFLEX REFLECTOR,SIDE	1	
	33741	33741-KEBE-C00	REFLEX REFLECTOR	REFLEX REFLECTOR	1	
	34905	34905-LCA5-E00	BULB WINKER (12V 10W)	BULB WINKER (12V 10W)	2	
	34906	34906-KPCP-900	BULB TAIL & STOP	BULB TAIL & STOP	1	
	50650	50650-LFC2-E10	STAY RR. FENDER	STAY RR. FENDER	1	
	50651	50651-LFC4-E10	STAY RR FENDER BALANCE	STAY RR FENDER BALANCE	1	
**	80100	80100-LFC3-E10	FENDER RR TIRE	FENDER RR TIRE	1	
**	80101	80101-LFC3-E10	FENDER RR INNER	FENDER RR INNER	1	
**	80105	80105-LFC2-E10	FENDER REAR	FENDER REAR	1	
	90302	90302-GFY6-C10	BOLT-WASH 5*16	BOLT-WASH 5*16	1	
	90652	90652-LCA4-C10	CLIP MUDGUARD	CLIP MUDGUARD	1	
	90677	90677-GAR1-C00	NUT CLIP 5MM	NUT CLIP 5MM	1	
	93404-06012	93404-06012-07	BOLT WASH 6*12	BOLT WASH 6*12	5	
	93404-06016	93404-06016-07	BOTL WASHER 6*16	BOTL WASHER 6*16	2	
	93903-34380	93903-34380	SCREW TAPPING 4*12	SCREW TAPPING 4*12(K)	9	
	93903-35280	93903-35280	SCREW TAPPING 5*12(K)	SCREW TAPPING 5*12(K)	2	



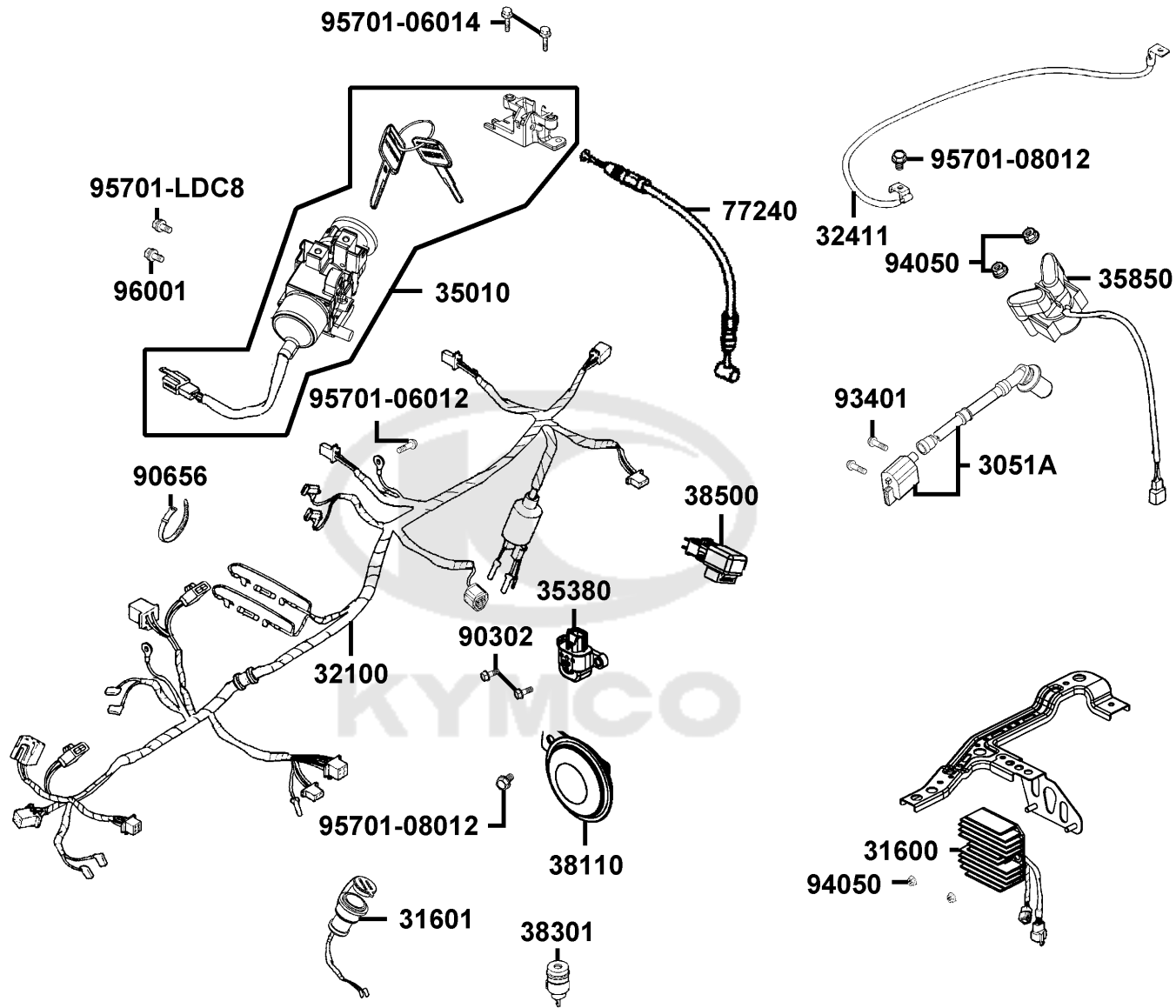
Sales mark	Ref no	Part no	Description	Reg description	Regd no	F18
------------	--------	---------	-------------	-----------------	---------	------------

	93903-GFY6	93903-GFY6-C00	SCREW TAPPING 4*14	SCREW TAPPING 4*14	1	
	94050	94050-05080	NUT FLANGE 5MM	NUT FLANGE 5MM	3	
	94591	94591-25000	CLIP BIND	CLIP BIND	1	
	95701	95701-06016-07	BOLT FLANGE 6*16	BOLT FLANGE 6*16 **06 C.P.N.	3	
	96001	96001-06012-08	BOLT FLANGE 6*12	BOLT FLANGE 6*12	2	





Sales mark	Ref no	Part no	Description	Reg description	Regd no	F19
	3051A	3051A-KKE3-900	COIL ASSY IGN	COIL ASSY IGN	1	
	31600	31600-LEA5-E00	REG REC COMP	REG REC COMP	1	
	31601	31601-LFC2-E10	SOCKET COMP DC 12V	SOCKET COMP DC 12V	1	
	32100	32100-LKD2-E10	HARNESS WIRE	HARNESS WIRE	1	
	32411	32411-LEJ3-E11	CABLE BAT	CABLE BAT	1	
	35010	35010-LKD2-E11	KEY SET	KEY SET	1	
	35380	35380-LEA2-900	SENSOR ANGLE DETECT	SENSOR ANGLE DETECT	1	
	35850	35850-KHD8-C00	RELAY ASSY START	RELAY ASSY START	1	
	38110	38110-KHB4-E0A	HORN COMP	HORN COMP	1	
	38301	38301-GGS7-C00	RELAY ASSY WINKER	RELAY ASSY WINKER	1	
	38500	38500-KHD8-900	RELAY ASSY LIGHT **LGL3-90C C.P.N.	RELAY ASSY LIGHT **LGL3-90C C.P.N.	1	
	77240	77240-LFC2-E10	CABLE SEAT LOCK	CABLE SEAT LOCK	1	
	90302	90302-GFY6-C10	BOLT-WASH 5*16	BOLT-WASH 5*16	1	
	90656	90656-KUDU-900	BAND HARNESS WIRE	BAND HARNESS WIRE	1	
	93401	93401-04025-08	BOLT WASHER 4*25	BOLT WASHER 4*25	2	
	94050	94050-06080	NUT FLANGE 6MM	NUT FLANGE 6MM	4	
	95701-06012	95701-06012-08	BOLT FLANGE 6*12	BOLT FLANGE 6*12	1	
	95701-06014	95701-06014-08	BOLT FLANGE 6*14	BOLT FLANGE 6*14	2	
	95701-08012	95701-08012-08	BOLT FLANGE 8*12	BOLT FLANGE 8*12	2	
	95701-LDC8	95701-LDC8-E10	BOLT TORQUE 6x16	BOLT TORQUE 6x16	1	



Sales mark	Ref no	Part no	Description	Reg description	Regd no	F19
------------	--------	---------	-------------	-----------------	---------	------------

96001

96001-06016-08

BOLT FLANGE SH 6*16

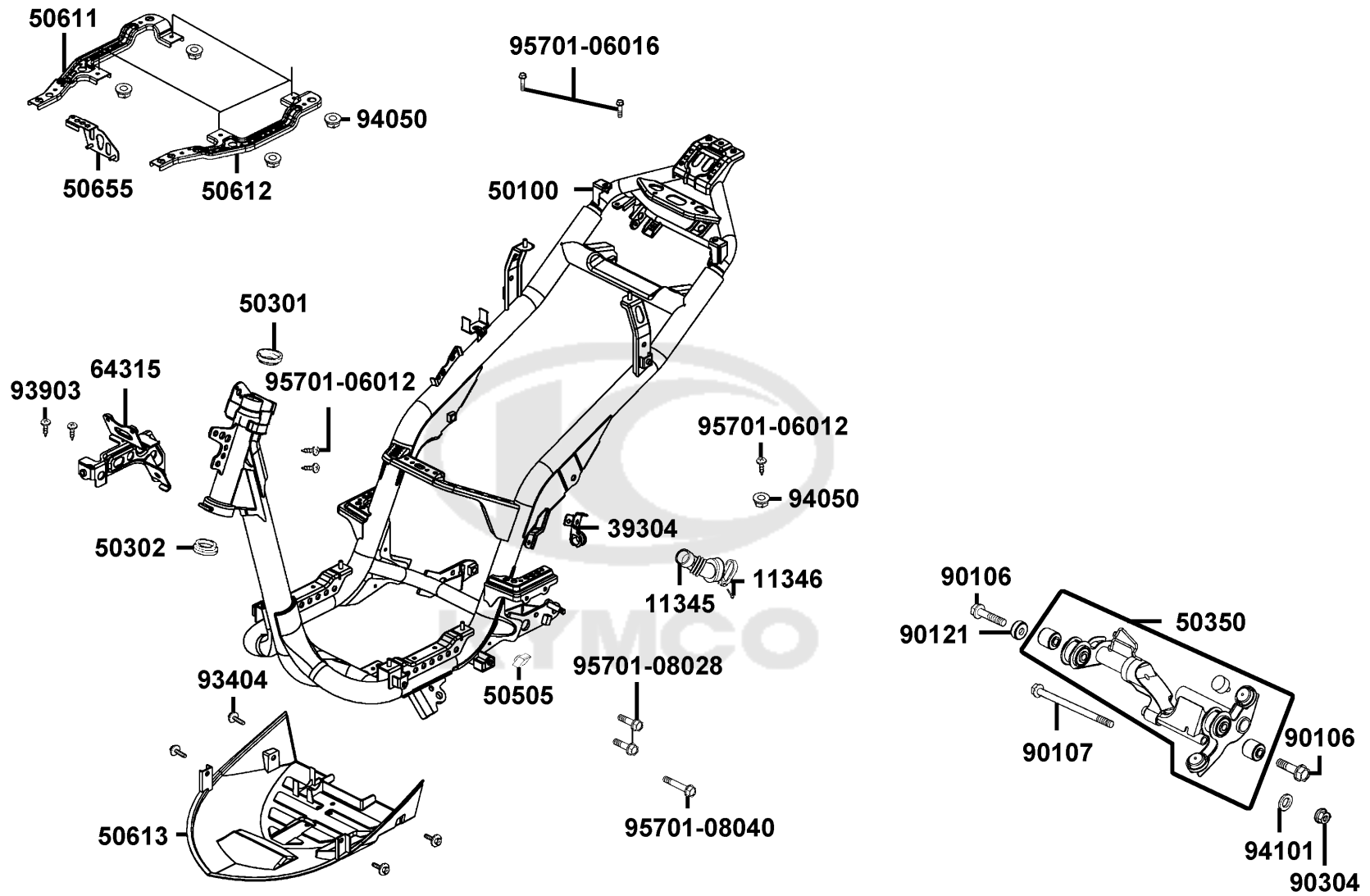
BOLT FLANGE SH 6*16

1



F20

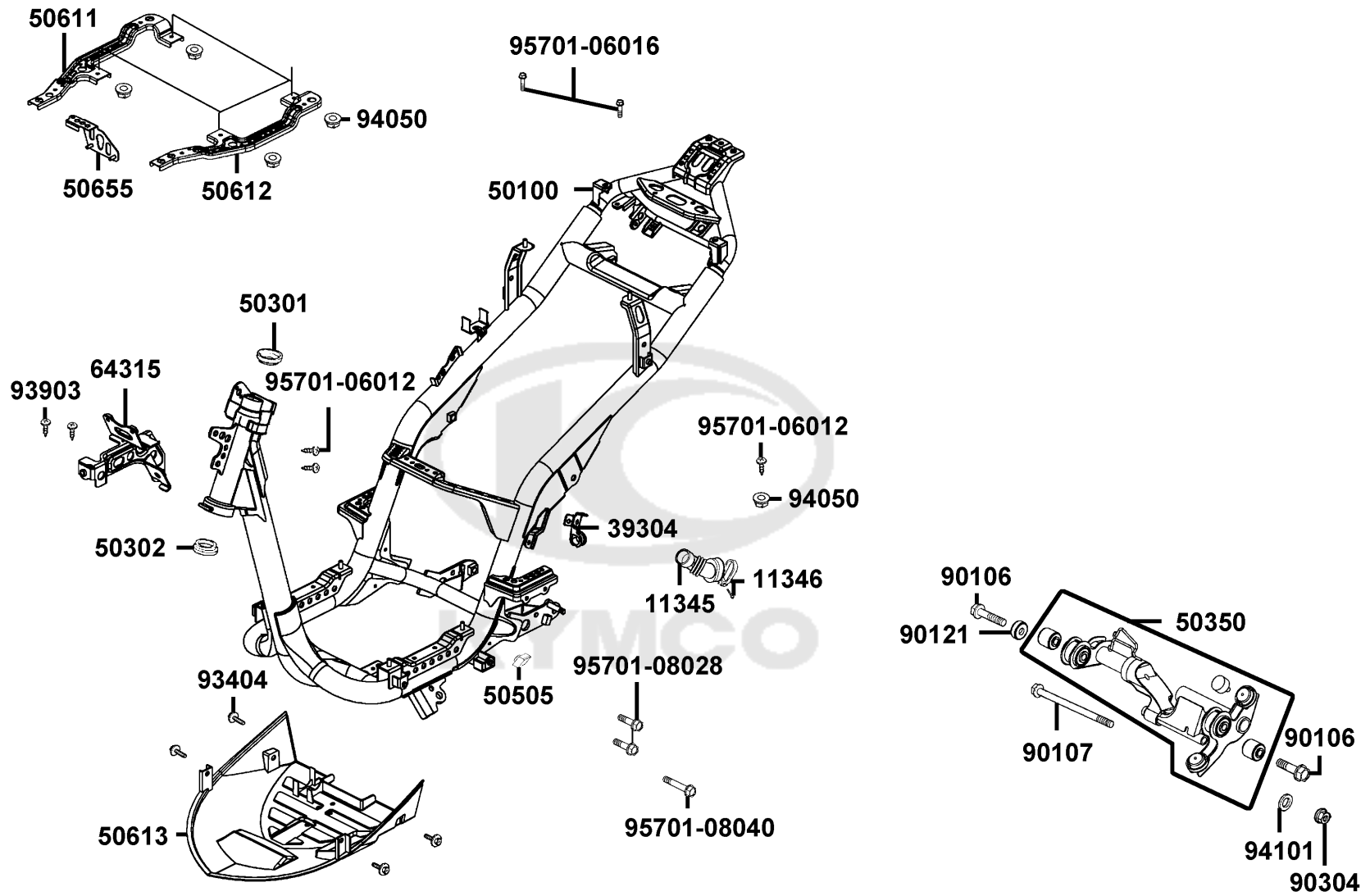
Frame Body




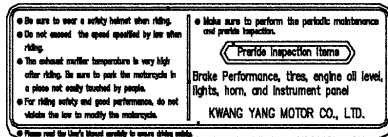
Sales mark	Ref no	Part no	Description	Reg description	Regd no	F20
	11345	11345-LKD2-E10	DUCT L COVER	DUCT L COVER	1	
	11346	11346-KEBE-C00	BAND L COVER DUCT	BAND L COVER DUCT	1	
	39304	39304-LKD2-E10	CLAMPER FUEL TUBE	CLAMPER FUEL TUBE	1	
	50100	50100-LKD2-E10	BODY COMP FRAME	BODY COMP FRAME	1	
	50301	50301-KGN7-C00	RACE UPPER STRG BALL	RACE UPPER STRG BALL	1	
	50302	50302-2H68-C00	RACE (STRG BOT) BALL	RACE (STRG BOT) BALL	1	
	50350	50350-LFC3-B40	ENG HANGER COMP	ENG HANGER COMP	1	
	50505	50505-LDC8-E10	STOPPER RUBBER	STOPPER RUBBER	1	
	50611	50611-LFC2-E10	RNFCT R FLOOR	RNFCT R FLOOR	1	
	50612	50612-LFC2-E10	RNFCT L FLOOR	RNFCT L FLOOR	1	
**	50613	50613-LFC2-E10	COVER UNDER	COVER UNDER	1	
	50655	50655-LKD2-E10	STAY REG REC	STAY REG REC	1	
	64315	64315-LKD2-E10	STAY FR COVER	STAY FR COVER	1	
	90106	90106-LGB6-E10	"BOLT,FLANGE,10x55"	"BOLT,FLANGE,10x55"	2	
	90107	90107-KUDU-900	BOLT FLANGE 10*188	BOLT FLANGE 10*188	1	
	90121	90121-GFY6-C00	COLLAR DISTANCE	COLLAR DISTANCE	1	
	90304	90304-GHE8-C00	NUT U 10MM (C)	NUT U 10MM (C)	1	
	93404	93404-06012-07	BOLT WASH 6*12	BOLT WASH 6*12	4	
	93903	93903-35280	SCREW TAPPING 5*12(K)	SCREW TAPPING 5*12(K)	2	
	94050	94050-06080	NUT FLANGE 6MM	NUT FLANGE 6MM	5	

F20

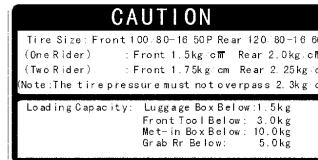
Frame Body



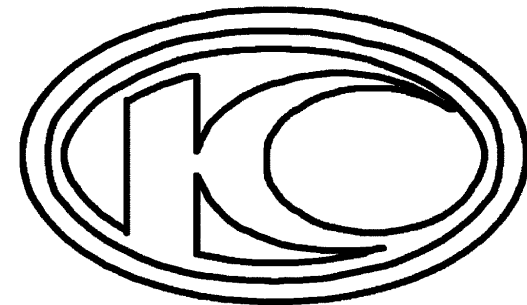
Sales mark	Ref no	Part no	Description	Reg description	Regd no	F20
	94101	94101-10800	WASHER PLAIN 10MM	WASHER PLAIN 10MM	1	
	95701-06012	95701-06012-08	BOLT FLANGE 6*12	BOLT FLANGE 6*12	3	
	95701-06016	95701-06016-08	BOLT FLANGE 6*16	BOLT FLANGE 6*16	2	
	95701-08028	95701-08028-08	BOLT FLANGE 8*28	BOLT FLANGE 8*28	2	
	95701-08040	95701-08040-08	BOLT FLANGE 8*40	BOLT FLANGE 8*40 (C)	1	
						



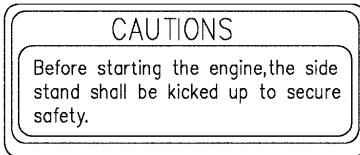
87560



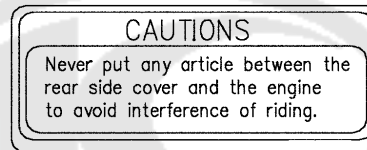
87505



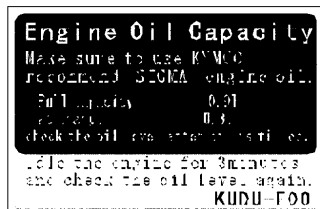
86102



87541-GAR1



87542



87541-KUDU



86202

Sales mark	Ref no	Part no	Description	Reg description	Regd no	F21
**	86102	86102-LEJ2-E00	STRIPE K-LOGO 22MM	STRIPE K-LOGO 22MM	1	
**	86202	86202-LKD2-E10	EMB BODY COVER	EMB BODY COVER	2	
**	87505	87505-LFC2-E10	LABEL TIRE	LABEL TIRE	1	
**	87541-GAR1	87541-GAR1-C01	MARK MAINT CAUTION L	MARK MAINT CAUTION L	1	
**	87541-KUDU	87541-KUDU-E00	LABEL OIL CAP **E00 C.2006.03.29	LABEL OIL CAP	1	
**	87542	87542-GAR1-E01	MARK MAINT CAUTION R	MARK MAINT CAUTION R	1	
**	87560	87560-GFY6-C01	MARK DRIVE CAUTION	MARK DRIVE CAUTION	1	



PART NO. INDEX

PART NO.	VERSION	PAGE	PART NO.	VERSION	PAGE	PART NO.	VERSION	PAGE
11000			12200-LGS6-405	0	E02	1453A-GFY6-W10	1	E03
11100-LCD4-C00	3	E01	12209-GDB4-C00	2	E02	14610-KUDU-C00	1	E03
11102-1G87-C00	3	E01	12211-KUDU-W10	4	E02	14711-KFB7-C00	1	E02
11192-LGS6-E90	0	E01	12251-LGS6-E10	2	E02	14721-KFB7-C00	0	E02
11200-LCD4-C00	0	E01	12310-KUDU-C000	1	E02	14751-KKJ9-C00	2	E02
11203-GGC7-W10	2	E01	1231A-KUDU-C11	1	E02	14761-KKJ9-C00	2	E02
11203-GGC7-W10	2	F16	12361-GFY6-C00	5	E04	14771-GDB4-C00	2	E02
11206-LCD3-C00	0	E01	12391-GFY6-C10	0	E02	14775-MFA6-C00	5	E02
11208-LFC3-E10	2	E04	13000			14781-MFA6-C00	4	E02
11209-LCD3-E00	3	F13	13000-KFB7-405	1	E03	15000		
1121A-LGR5-E10	0	F13	13011-LCD4-E00	1	E03	15100-KFB7-C00	0	E06
1122A-KHB4-900	1	F13	13101-LCD4-E00	4	E03	15133-GFY6-W10	1	E06
11331-LCD3-E00	5	E04	13111-KKJ9-C10	0	E03	15141-GFY6-C00	1	E06
11340-LEJ3-E11	0	E01	14000			15421-1G07-W10	1	E04
11345-LKD2-E10	0	F20	14100-LGS6-E10	1	E02	15426-GAE1-C00	1	E04
11346-KEBE-C00	1	F20	14401-KUDU-C00	1	E03	1565A-KUDU-W10	1	E04
11353-LEA6-C00	0	E01	14431-KUDU-W10	4	E02	15711-KUDU-C00	1	E06
11394-KUDU-E90	1	E04	14450-GFY6-W10	1	E02	16000		
11395-KHB4-C00	0	E01	14452-GFY6-W10	1	E02	16100-LKD2-E10	0	E09
12000			14510-KUDU-C00	1	E03	16201-GFY6-E90	0	E02
12100-LCD4-C00	0	E03	14520-GFY6-C00	1	E03	16211-GFY6-W10	1	E02
12191-LGS6-E90	0	E03	14523-GFY6-E90	1	E03			

PART NO. INDEX

PART NO.	VERSION	PAGE	PART NO.	VERSION	PAGE	PART NO.	VERSION	PAGE	
17000			18306-LEJ2-E10	3	F14	22131-GFY6-C00	3	E05	
			1830A-LKD2-E10	0	F14	22132-KBN2-C00	3	E05	
			18318-LCD3-E10	5	F14	22300-LCD4-C00	0	E05	
			18325-LFC3-E10	2	F14				
						23000			
	1711A-LGL3-C00	4	E02			23010-LCD4-E00	1	E05	
	17200-LKD2-E10	1	F13			23100-LCD4-E0A	2	E05	
	17239-KHB4-C00	0	F13	19000		23200-GFY6-C00	3	E05	
	1723A-LKD2-E10	0	F13			23220-KFBF-C00	1	E05	
	1723B-LFC4-E10	0	F13	19504-LBA2-C00	0	F10	23225-GHC8-C00	1	E05
	1723C-LEJ3-E10	0	F13	19510-KFB7-C00	0	E07	23226-GHC8-C00	1	E05
	17257-LFC4-E10	0	F13	1961A-KUDU-E10	2	E07	23233-GCW3-C00	1	E05
	1725B-KGBG-900	0	F13	19625-KUDU-C00	1	E02	23237-GFY6-C00	1	E05
	1737A-LCD3-E00	0	F13	1962A-LEJ8-E00	1	E07	23238-GFY6-C00	1	E05
17500-LKD2-E10	0	F10	1963A-LGS6-E10	1	E07	23411-KHB4-C00	0	E08	
17550-LKD2-E10	0	F10				23420-LCD3-C00	0	E08	
17560-LKD2-E10	0	F10	21000			23432-LCD3-C00	0	E08	
17620-LBA8-C10	0	F10				2343A-KHB4-C00	0	E08	
17910-LGS6-E10	0	F03	21200-LEJ8-C00	2	E08				
			21395-LCD3-E90	0	E08	28000			
			22000						
18291-GGA7-C01	1	F14							
18291-KKC4-C00	0	F14	22101-LCD3-C00	3	E05	28101-GFY6-C00	1	E06	
18292-KEBE-C00	0	F14	22102-KUDU-C00	0	E05	28102-GFY6-C00	1	E06	
18293-KECE-C00	0	F14	22105-GFY6-C10	1	E05	28110-GFY6-C10	1	E06	
18294-PUA3-B50	0	F14	22110-KUDU-E80	0	E05	28120-GFY6-C10	1	E06	
18295-KECE-900	0	F14	22121-KKD7-C00	2	E05				

PART NO. INDEX

PART NO.	VERSION	PAGE	PART NO.	VERSION	PAGE	PART NO.	VERSION	PAGE
28125-4F26-C00	1	E06	32961-KUDU-C00	5	E04	34905-LCA5-E00	0	F18
28125-GFY6-C10	3	E06				34906-KPCP-900	0	F18
28126-GFY6-C10	1	E06	33000			34908-GGA7-C00	0	F02
2812A-GFY6-C10	2	E06				34908-MKB9-C00	0	F02
28211-KUDU-W10	4	E05	33100-LFC2-E10	1	F01			
			33108-LFC2-E10	0	F01	35000		
30000			33400-LFC2-E10	1	F17			
			33402-LFC2-E10	1	F17	35010-LKD2-E11	0	F19
3051A-KKE3-900	6	F19	33403-LFC2-E10	0	F17	35151-LGB5-E10	1	F03
			33406-LFC2-E10	0	F17	35152-LGB5-E10	0	F03
31000			33450-LFC2-E10	1	F17	3515A-LGB5-E10	3	F03
			33452-LFC2-E10	0	F17	35201-LGB5-E10	1	F03
31100-LGS6-E10	0	E07	33453-LFC2-E10	0	F17	35202-LGB5-E10	0	F03
31110-KKE3-90A	3	E07	33456-LFC2-E10	0	F17	3520A-LGB5-E11	0	F03
31120-LGS6-E10	0	E07	33700-LFC2-E10	1	F18	35340-KNBN-901	1	F04
31200-KUDU-C00	4	E06	33702-LFC2-E10	1	F18	35350-KNBN-901	1	F04
31500-KFAF-C00	0	F11	33703-LFC2-E10	1	F18	35380-LEA2-900	1	F19
31600-LEA5-E00	2	F19	33720-LEJ2-E10	0	F18	35850-KHD8-C00	1	F19
31601-LFC2-E10	1	F19	33731-KGB5-C00	2	F18			
			33741-KEBE-C00	0	F18	37000		
32000								
			34000			37200-LKD2-E10	1	F02
32100-LKD2-E10	1	F19				37211-LFC2-E10	1	F02
32106-KKE3-C00	2	E02	34901-LDC8-E10	1	F01	37213-LFC2-E10	0	F02
32411-LEJ3-E11	0	F19	34903-LDC8-E10	1	F01	37215-LFC2-E10	0	F02
32412-LEH3-C10	1	E04	34905-LBA8-E80	1	F17	37224-LKD2-E10	2	F02

PART NO. INDEX

PART NO.	VERSION	PAGE	PART NO.	VERSION	PAGE	PART NO.	VERSION	PAGE
37280-LEJ2-E0A	0	F02	42710-LFC2-E11	1	F08	45000		
37802-GGA7-C00	1	F10	42753-0A01-C00	1	F07			
3780A-LKD2-E10	0	F10						
38000			43000			45105-LEJ2-306	0	F04
			43105-LFC4-305	1	F04	45121-LFC2-E80	1	F07
38110-KHB4-E0A	0	F19	43126-LFC4-E10	1	F04	45126-LFC2-E10	1	F04
38301-GGS7-C00	3	F19	43156-LFC3-E10	2	F16	45156-KNBN-C00	1	F06
38500-KHD8-900	0	F19	43200-LFC4-E10	1	F04	45156-LCB9-B20	0	F06
39000			43351-LFC3-E80	2	F08	45200-LFC2-E10	1	F04
			43500-LFC3-E10	0	F04	4550A-LFC2-E1A	1	F04
			4350B-LFC4-E10	1	F04	4550B-LFC2-E10	4	F04
39300-LEA6-800	0	E02				45513-KCCC-900	0	F04
39301-LHB2-C10	0	E02	44000			45517-KFAF-910	1	F04
39302-KKE3-C00	0	E02				50000		
39303-LEB2-900	0	E02	44301-LEJ2-E10	4	F07			
39304-LKD2-E10	0	F20	44311-LFC2-E10	2	F07	50100-LKD2-E10	0	F20
39400-KKE3-800	2	E02	44600-LFC3-E81	2	F07	50301-KGN7-C00	2	F20
39450-LEA6-800	2	F14	44601-LFC2-E10	2	F07	50302-2H68-C00	2	F20
42000			44620-KFLF-C00	1	F07	50306-1F96-C00	1	F06
			44680-4L10-C00	1	F07	50326-LFC2-E10	1	F12
			44710-LFC3-E11	0	F07	50350-LFC3-B40	1	F20
42311-KHB4-C00	0	F16	44800-LKD1-E10	2	F07	50500-LFC4-E10	3	F15
42312-LEJ2-E10	1	F16	44830-LCD3-C00	0	F02	50502-LDF7-C00	1	F15
42600-LFC3-E81	1	F08				50504-LEJ3-E11	1	E01
42601-LFC3-E10	1	F08				50505-LAD9-C00	1	F15

PART NO. INDEX

PART NO.	VERSION	PAGE	PART NO.	VERSION	PAGE	PART NO.	VERSION	PAGE
50505-LDC8-E10	2	F20						
50530-LFC2-E10	3	F15	52000			61000		
50531-KEB7-C00	1	F15						
50535-KEB7-W10	3	F15	52000-LFC3-E10	3	F16	61100-LFC2-E10	1	F06
50550-KEB7-C00	1	F15	52100-LFC3-E10	0	F16	61110-LFC2-E10	0	F06
50611-LFC2-E10	2	F20	52400-LFC4-E10	0	F16			
50612-LFC2-E10	1	F20	52400-LFC4-E10	3	F16	64000		
50613-LFC2-E10	1	F20						
50650-LFC2-E10	3	F18	53000			6421A-LFC2-E10	0	F03
50651-LFC4-E10	0	F18				64301-LFC2-E10	2	F05
50655-LKD2-E10	0	F20	53100-LFC3-E10	3	F03	64302-LFC2-E10	1	F05
51000			53102-LFC3-E10	2	F03	64303-LFC2-E10	1	F05
			53105-LFC4-E10	0	F03	64305-LFC2-E10	1	F05
			53125-GEN5-C00	1	F03	64306-LFC2-E10	1	F05
51400-LFC3-E10	0	F06	53140-LEJ2-E10	0	F03	64307-LFC2-E10	1	F05
51401-LFC3-E10	0	F06	53166-LEJ2-E10	0	F03	64308-LFC2-E10	1	F05
51410-LEJ2-E10	0	F06	53175-KTCT-C00	0	F04	6430A-LFC2-E10	1	F05
51412-LEJ2-E10	0	F06	53178-KNBN-C00	0	F04	6430B-LFC2-E10	1	F05
51420-LFC2-E10	1	F06	53200-LFC2-E10	1	F06	6430C-LFC2-E10	1	F05
51422-LEJ2-E10	0	F06	53204-LFC2-E10	1	F03	64310-LFC2-E11	0	F05
51427-LEJ2-E10	0	F06	53205-LFC2-E10	1	F03	64315-LKD2-E10	0	F20
51428-LEJ2-E10	0	F06	53206-LFC2-E10	1	F03	64316-LCB9-C10	4	F05
51429-LFC3-E10	0	F06	53211-GFY6-C00	1	F06	64316-LCB9-C10	5	F05
51437-LEJ2-E10	0	F06	53212-2L50-C00	1	F06	64316-LCB9-C10	4	F12
51500-LFC3-E10	0	F06	53214-2L50-C00	5	F06	64316-LCB9-C10	5	F12
51520-LEJ2-E10	0	F06	53215-2L50-C00	1	F06	6431A-LFC2-E11	0	F05

PART NO. INDEX

PART NO.	VERSION	PAGE	PART NO.	VERSION	PAGE	PART NO.	VERSION	PAGE		
64350-LFC2-E11	0	F05	81132-LFC2-E10	1	F05	87000				
64360-LFC2-E11	0	F05	81133-KNBN-C00	1	F05					
75000			81134-KGBG-C00	2	F05					
			81134-LFC2-E10	1	F05		87505-LFC2-E10	2	F21	
			81141-LFC2-E10	1	F05		87541-GAR1-C01	0	F21	
75581-6C73-C00	1	F05	81142-KFA6-C00	1	F05		87541-GAR1-C01	1	F21	
77000			81146-LFC2-E10	1	F05		87541-KUDU-E00	0	F21	
			81147-LFC2-E10	1	F05		87541-KUDU-E00	1	F21	
			81200-LFC2-E10	1	F12		87542-GAR1-E01	2	F21	
			81250-LKD2-E10	0	F12		87560-GFY6-C01	3	F21	
77200-LFC3-E10	0	F09	83000			88000				
77232-KCAC-C00	2	F12								
77240-LFC2-E10	5	F19								
80000				83500-LFC2-E10	1		F12	88110-LEB5-C11	2	F03
				83510-LFC2-E10	1		F12	88120-LEB5-C11	2	F03
80100-LFC3-E10	1	F18		83600-LFC2-E10	1		F12	89000		
80101-LFC3-E10	0	F18		83610-LFC2-E10	1		F12			
80101-LFC3-E10	1	F18		83750-LFC2-E10	1		F12			
80105-LFC2-E10	1	F18		86000					89010-KGBG-C00	1
80151-LFC2-E10	1	F12						90000		
8015A-LFC2-E10	1	F12								
81000			86102-LEJ2-E00		2	F21	90001-GBHB-C00		1	E03
			86202-LKD2-E10	1	F21	90001-GFY6-C00	4		E06	
81131-LFC2-E10	1	F05				90005-KAW1-901	1	E03		
81132-LCB9-C10	1	F05				9000A-LEJ2-E10	0	E01		

PART NO. INDEX

PART NO.	VERSION	PAGE	PART NO.	VERSION	PAGE	PART NO.	VERSION	PAGE
90012-3C33-C00	1	E02	90301-GFY6-C00	2	F14	90652-LGJ9-900	2	E02
90021-GFY6-C10	0	F14	90301-LEJ2-E10	1	F10	90656-KUDU-900	0	F19
90031-KUDU-C00	5	E01	90302-GBR2-C00	4	F05	90677-GAR1-C00	1	F05
90032-KUDU-C00	5	E01	90302-GFY6-C10	0	F06	90677-GAR1-C00	1	F18
90033-GFY6-C00	2	E02	90302-GFY6-C10	0	F10	90683-GAR1-C00	4	F05
90105-KCR3-001	3	F07	90302-GFY6-C10	0	F18	90701-GFY6-C00	6	E06
90105-KCR3-001	3	F08	90302-GFY6-C10	0	F19			
90106-GEN5-901	1	F03	90302-LLB1-C00	2	F03	91000		
90106-KFAF-900	2	F03	90302-SDA4-C00	2	F05			
90106-LGB6-E10	1	F20	90302-SDA4-C00	2	F12	91003-KDS4-C00	1	E08
90107-KUDU-900	5	F20	90304-GHE8-C00	1	F03	91009-GLE0-C00	1	E08
90108-KFA6-E00	1	F15	90304-GHE8-C00	1	F20	91014-LLJ3-C00	1	F06
90110-GLW0-C00	0	F05	90305-GHK8-C00	2	F06	91015-LLJ3-C00	1	F06
90110-KEB7-C00	1	F06	90305-KNBN-C00	1	F08	91101-1K79-C00	1	E06
90110-LCD4-E00	1	F14	90306-KLF0-C00	1	F07	91104-GFY6-C00	1	E06
90111-1G87-C00	6	F05	90403-KUDU-900	1	E06	91104-KGN7-671	0	E01
90111-1G87-C00	6	F12	90426-KNBN-C00	1	E05	91201-GFY6-C00	1	E01
90114-GDM4-C00	0	F13	90440-1F66-C00	1	E07	91202-KKJ9-C00	5	E01
90116-LEJ2-E10	0	F06	90441-GFY6-C00	1	E05	91211-KEBE-C00	1	E05
90121-GFY6-C00	1	F20	90465-MDC4-C00	1	E02	91251-LEJ2-E10	0	F06
90131-GLW0-C00	1	F04	90474-3C33-C00	1	E01	91252-0L30-004	0	F07
90131-KFAF-C00	0	F04	90501-KNBN-C00	1	F08	91254-LEJ2-E10	0	F06
90145-9A61-C00	1	F04	9052A-GFY6-C00	5	E01	91255-LDC8-E10	5	E08
90201-GFY6-901	1	E06	90544-LEJ2-E10	0	F06	91258-4L10-007	1	F07
90202-1G87-C00	1	E05	90545-3L00-C00	2	F04	91302-0A01-C00	10	E04
90206-0A01-C00	2	E02	90652-LCA4-C10	6	F18	91306-1E05-C00	1	E03

PART NO. INDEX

PART NO.	VERSION	PAGE	PART NO.	VERSION	PAGE	PART NO.	VERSION	PAGE
91351-6B42-C00	1	E05	93903-34380	6	F05	94101-06700	0	F14
92000			93903-34380	6	F12	94101-10800	1	F20
			93903-34380	6	F17	94101-KEBE-C00	0	F14
			93903-34380	6	F18	94111-06800	1	E02
			93903-34380	6	F18	94111-06800	1	F14
92101-05012-0H	2	E07	93903-35220	4	F01	94111-06800	1	F14
93000	2	E02	93903-35280	1	F02	94301-10160	4	E01
			93903-35280	1	F03	94301-10160	4	E02
			93903-35280	1	F18	94301-10160	4	E03
			93903-35280	1	F20	94301-10160	4	E04
			93903-35280	1	F20	94301-10160	4	E04
93401-04025-08	0	F19	93903-GFY6-C00	2	F05	94301-10200	4	E01
93404-06012-07	5	F12	93903-GFY6-C00	2	F12	94591-25000	0	F18
93404-06012-07	5	F13	93903-GFY6-C00	2	F18	94591-LDC8-E10	1	E02
93404-06012-07	5	F18				94591-LGR5-E10	1	F05
93404-06012-07	5	F20	94000			94601-15000	10	E03
93404-06016-07	1	F18				94608-LEJ2-E10	0	F06
93404-06020-07	4	F05	94001-12280-0S	0	E05			
93404-06025-07	1	F06	94050-05080	6	F18	95000		
93500-05025	0	F03	94050-06080	2	E02			
93600-04012-1G	1	F04	94050-06080	2	E06	95012-LEJ2-E10	0	F11
93700-05018-0H	1	F02	94050-06080	2	F09	95701-06012-08	3	E04
93901-32110	0	F17	94050-06080	2	F19	95701-06012-08	3	F06
93901-34220	0	F17	94050-06080	2	F20	95701-06012-08	3	F10
93903-25480	1	F13	94050-08080	4	E02	95701-06012-08	3	F19
93903-34280	0	F05	94050-12080	1	E05	95701-06012-08	3	F20
93903-34320	0	F02	94050-12080	1	E07	95701-06014-08	0	F19
93903-34380	6	F03	94101-06200	1	F14	95701-06016-07	3	F18

